



BMF

An ideal solution for projects that need punch,
from 100 to 500 feet.



“UNIQUE LIGHTING SOLUTIONS”

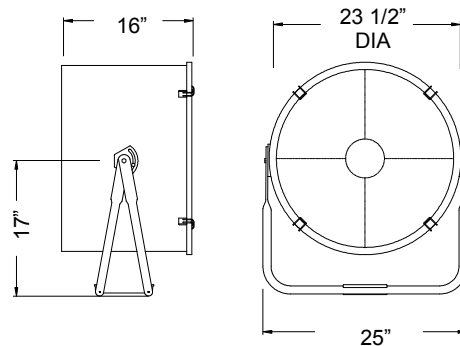
ORDERING

BMF-(watt)	(watt) = specified Wattage
-MH	150W-1000W Metal Halide Lamp
-HPS	70W-400W High Pressure Sodium Lamp
-CRI	Color Rendering Index*
-CCT	Correlated Color Temperature*
-CWA	Core and Coil Ballast
-RLEG	Regulated Lag Ballast
-ELEC	Electronic Ballast
-CB	Cast Metal Mounting Bracket
-SS	Stainless Steel Housing
-TF	Cast Metal Tenon Fitter
-CF	Custom Finish*
-XXX	Ballast Voltage*
-AGS	Anti Glare Shield (internal)
-CL	Colored Lens*
-SL2	Spread Lens (12°)
-SL3	Spread Lens (30°)
-SPG	Special Glass Pattern*
-FLP	Facade Lighting Package
-SNXX	Snoot in inches (note internal color)*
-RBB	Remote Ballast Box

* Consult Factory
† See BMF-GR for photometrics

EXAMPLE: BMF-250-MH-90-5000-RLEG-CB-120-SN12

DIMENSIONS



PHOTOMETRICS

SETBACK DISTANCE (FEET)	F _c AT CENTER	FIELD DIA (FEET)
50	518.2	10.4
100	129.6	20.8
150	57.6	31.3
200	32.4	41.7
250	20.7	52.1
300	14.4	62.5
350	10.6	73.0



SPECIFICATIONS

Housing– Galvaneal steel with an aluminum lens frame for complete seal against moisture. Housing can also be specified as Stainless Steel.

Lamps– 70W to 1000W HID. Please contact factory for lamp selections not found on ordering selector.

Lens– Clear tempered glass lens. 12, and 30 degree spread lens are optional, as well as frosted, patterned, or colored.

Reflector– High reflectance, spun aluminum for maximum control of beam. As an option, can be fitted with a mirrored, glass reflector for even more precise applications.

Finish– High quality, outdoor, polyester, powder coat.

Ballast– Integral, core and coil ballast. Remote core and coil and electronic ballasts are also available.

Mounting– The mounting is a rigid, formed metal yoke. Provided with an adjustment plate on each side for easy positioning.

Weight– Approximately 75 lbs (with no options).

Labels– NRTL Listed for wet locations.



BMF

An ideal solution for projects that need punch,
from 100 to 500 feet.



“UNIQUE LIGHTING SOLUTIONS”

FILE INFORMATION

Photometric Filename: LLI090412D.IES

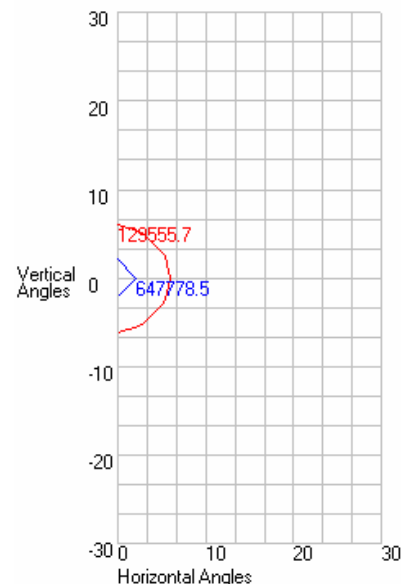
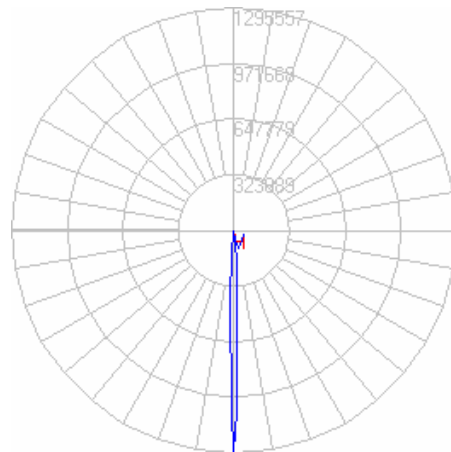
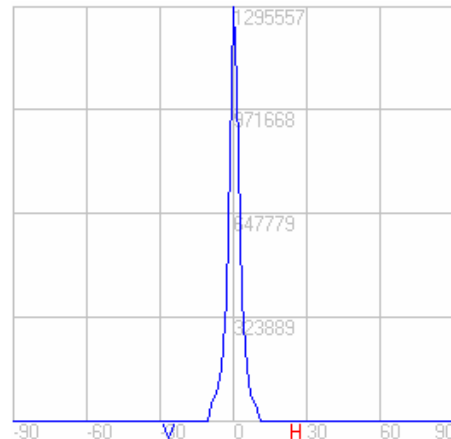
Descriptive Information (From Photometric File)
 IESNA:LM-63-2002
 [TEST] LLI 0904-12D
 [TESTLAB] LIGHT LABORATORY INC
 [ISSUEDATE] 9/30/2004
 [MANUFAC] ARC LIGHTING SYSTEMS.
 [LUMCAT] BMF-250-MH-90-5000-RLEG-120
 [LUMINAIRE] 23-3/4" DIA. X 16" SEARCH LIGHT.
 [MORE] SEMI-SPECULAR REFLECTOR.
 [MORE] TEMPERED FLAT GLASS LENS.
 [BALLASTCAT] ADVANCE S50 71A8280
 [BALLAST] 120 60Hz MAGNETIC.
 [LAMPOSITION] 0,90
 [LAMPCAT] OSRAM HQI-SE250/DX
 [_LAMPLUM] 19000
 [_WATT] 283.5

CHARACTERISTICS

IES NEMA Type	1 H x 1 V
Maximum Candela	1295557
Maximum Candela Angle	0 H 0 V
Horizontal Beam Angle (50%)	4.4
Vertical Beam Angle (50%)	4.4
Horizontal Field Angle (10%)	11.9
Vertical Field Angle (10%)	11.9
Total Rated Lamp Lumens	19000
Beam Lumens	4547.51
Beam Efficiency	23.93%
Field Lumens	10900.39
Field Efficiency	57.37%
Spill Lumens	4714.29
Total Lumens	15614.68
Total Efficiency	82.18%

LUMEN MULTIPLIERS

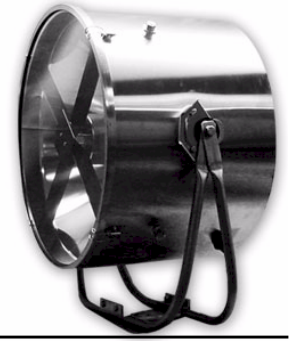
WATT	TYPE	MULT	WATT	TYPE	MULT
150	CMH	0.56	70	HPS	0.23
250	MH	1.00	100	HPS	0.42
400	MH	1.60	150	HPS	0.73
1,000	MH	3.74	200	HPS	1.04
700	MSD	2.88	250	HPS	1.31
			400	HPS	2.25





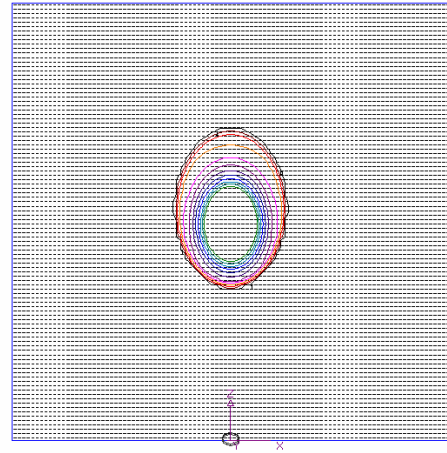
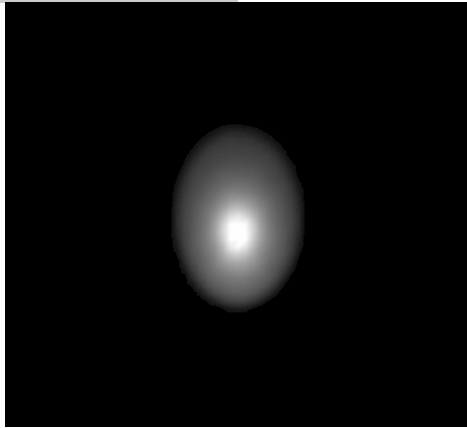
BMF

An ideal solution for projects that need punch,
from 100 to 500 feet.

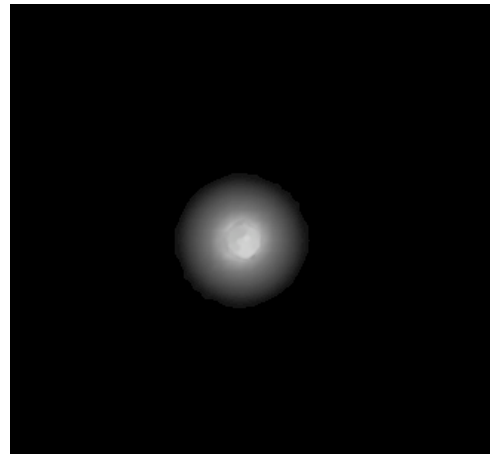
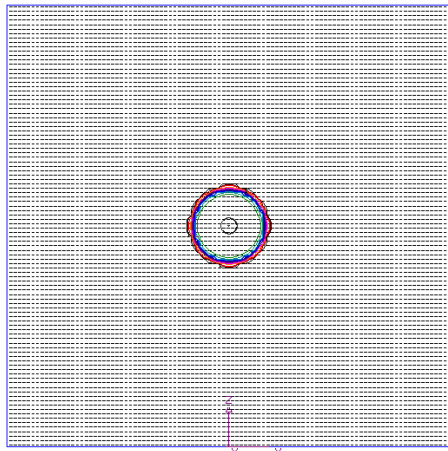


“UNIQUE LIGHTING SOLUTIONS”

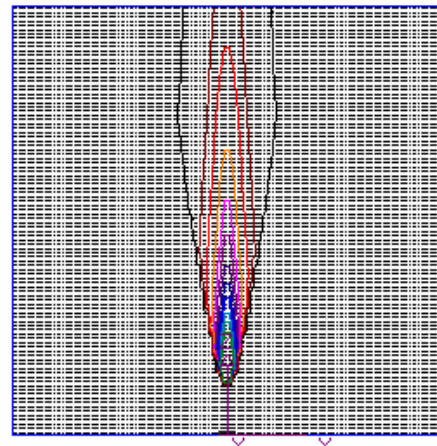
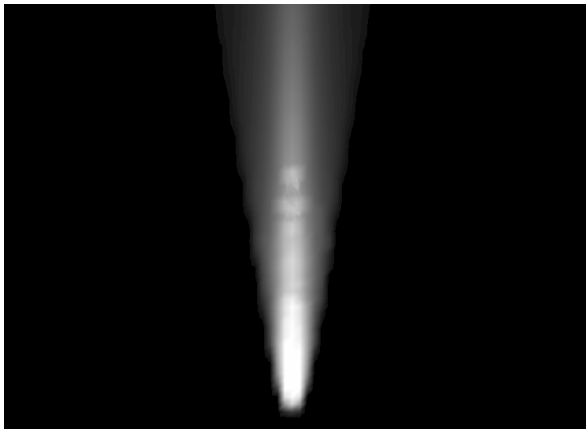
APPLICATIONS



25 FEET FROM SURFACE, 45 DEGREE TILT



25 FEET FROM SURFACE, 90 DEGREE TILT



1 FOOT FROM SURFACE, 180 DEGREE TILT