



BMF-SAG2

An ideal solution for projects that need punch,
for 100 to 500 feet.



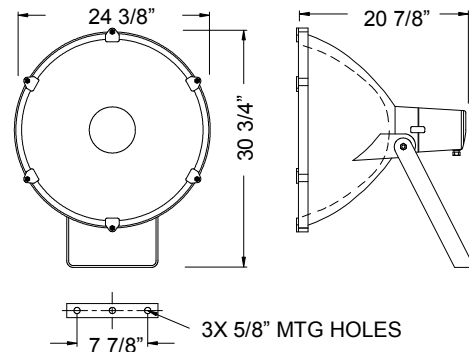
“UNIQUE LIGHTING SOLUTIONS”

ORDERING

BMF-SAG2-(watt)	(watt) = specified Wattage
-MH	150W-400W Metal Halide Lamp
-HPS	70W-400W High Pressure Sodium Lamp
-CRI	Color Rendering Index*
-CCT	Correlated Color Temperature*
-CWA	Core and Coil Ballast
-ELEC	Electronic Ballast
-GR	Glass Reflector †
-CB	Cast Metal Mounting Bracket
-TF	Cast Metal Tenon Fitter
-CF	Custom Finish*
-XXX	Ballast Voltage*
-AGS	Anti Glare Shield (internal)
-CL	Colored Lens*
-SL2	Spread Lens (12°)
-SL3	Spread Lens (30°)
-SPG	Special Glass Pattern*
-FLP	Facade Lighting Package
-SNXX	Snoot in inches (note internal color)*
-RBB	Remote Ballast Box

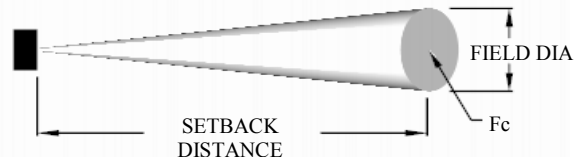
* Consult Factory
† See BMF-SAG2-GR for photometrics

DIMENSIONS



PHOTOMETRICS

SETBACK DISTANCE (FEET)	Fc AT CENTER	FIELD DIA (FEET)
50	518.2	10.4
100	129.6	20.8
150	57.6	31.3
200	32.4	41.7
250	20.7	52.1
300	14.4	62.5
350	10.6	73.0



EXAMPLE: BMF-SAG2-250-MH-90-5000-CWA-CB-120-SL2

SPECIFICATIONS

Housing– High grade, cast aluminum with cast lens frame for complete seal against moisture. Re-lamping is accomplished using a convenient, hinged, rear access cover.

Lamps– 70W to 400W HID. Please contact factory for lamp selections not found on ordering selector.

Lens– Clear tempered glass lens. 12, and 30 degree spread lens are optional, as well as frosted, patterned, or colored.

Reflector– High reflectance, spun aluminum for maximum control of beam. As an option, can be fitted with a mirrored, glass reflector for even more precise applications.

Finish– High quality, outdoor, polyester, powder coat.

Ballast– High power factor, core and coil ballast can be either remote or integrally mounted on yoke. Electronic ballasts are also available.

Mounting– The mounting is a rigid, hot dipped, galvanized steel yoke. Provided with cup washers on each side of the fixture with degree indicators for easy positioning.

Weight– Approximately 39 lbs (with no options).

Labels– NRTL Listed for wet locations.



BMF-SAG2

An ideal solution for projects that need punch,
for 100 to 500 feet.

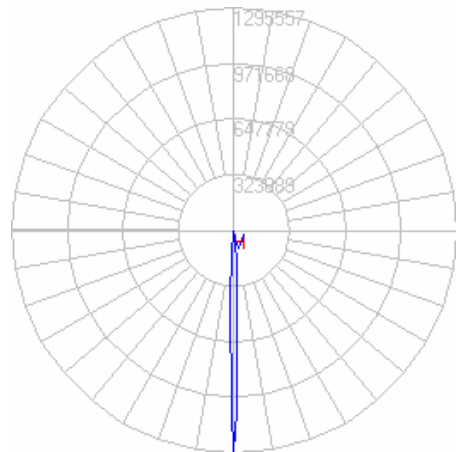
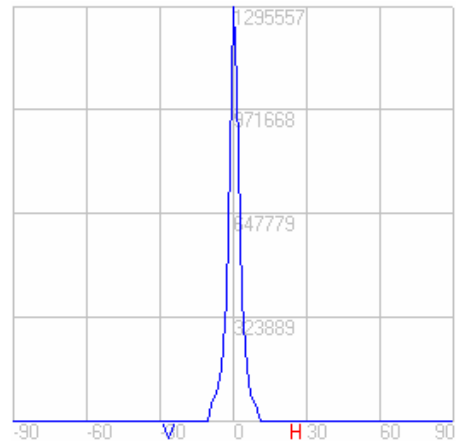


“UNIQUE LIGHTING SOLUTIONS”

FILE INFORMATION

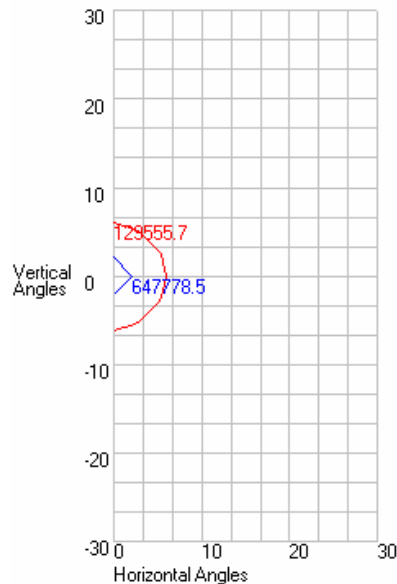
Photometric Filename: LLI090412D.IES

Descriptive Information (From Photometric File)
 IESNA:LM-63-2002
 [TEST] LLI 0904-12D
 [TESTLAB] LIGHT LABORATORY INC
 [ISSUEDATE] 9/30/2004
 [MANUFAC] ARC LIGHTING SYSTEMS.
 [LUMCAT] BMF-250-MH-90-5000-RLEG-120
 [LUMINAIRE] 23-3/4" DIA. X 16" SEARCH LIGHT.
 [MORE] SEMI-SPECULAR REFLECTOR.
 [MORE] TEMPERED FLAT GLASS LENS.
 [BALLASTCAT] ADVANCE S50 71A8280
 [BALLAST] 120 60Hz MAGNETIC.
 [LAMPPOSITION] 0,90
 [LAMPCAT] OSRAM HQI-SE250/DX
 [LAMPLUM] 19000
 [WATT] 283.5



CHARACTERISTICS

IES NEMA Type	1 H x 1 V
Maximum Candela	1295557
Maximum Candela Angle	0 H 0 V
Horizontal Beam Angle (50%)	4.4
Vertical Beam Angle (50%)	4.4
Horizontal Field Angle (10%)	11.9
Vertical Field Angle (10%)	11.9
Total Rated Lamp Lumens	19000
Beam Lumens	4547.51
Beam Efficiency	23.93%
Field Lumens	10900.39
Field Efficiency	57.37%
Spill Lumens	4714.29
Total Lumens	15614.68
Total Efficiency	82.18%



LUMEN MULTIPLIERS

WATT	TYPE	MULT
150	CMH	0.56
250	MH	1.00
400	MH	1.60
1,000	MH	3.74
700	MSD	2.88

WATT	TYPE	MULT
70	HPS	0.23
100	HPS	0.42
150	HPS	0.73
200	HPS	1.04
250	HPS	1.31
400	HPS	2.25



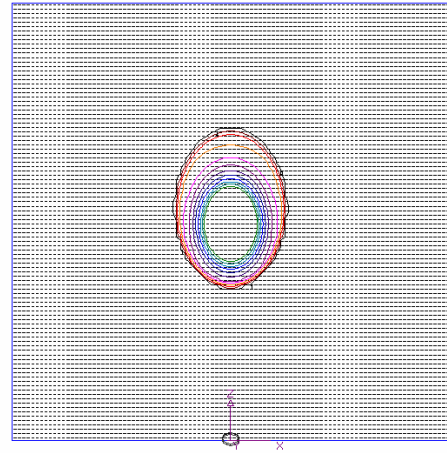
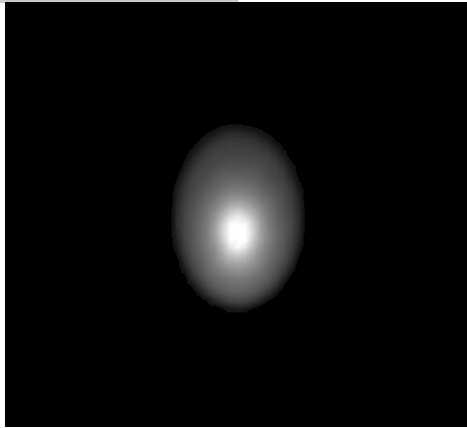
BMF-SAG2

An ideal solution for projects that need punch,
for 100 to 500 feet.

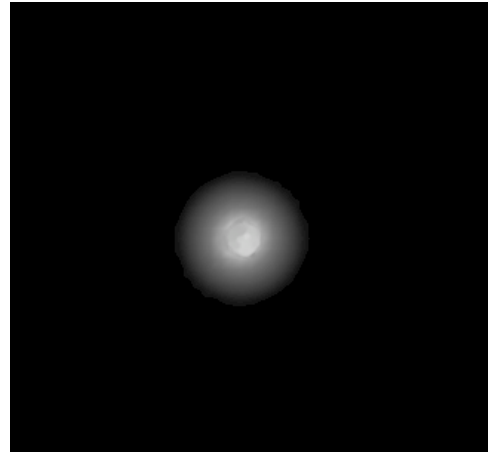
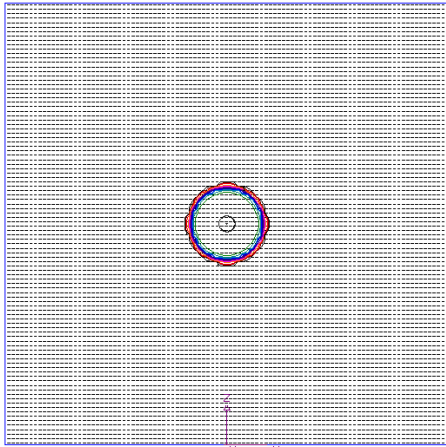


“UNIQUE LIGHTING SOLUTIONS”

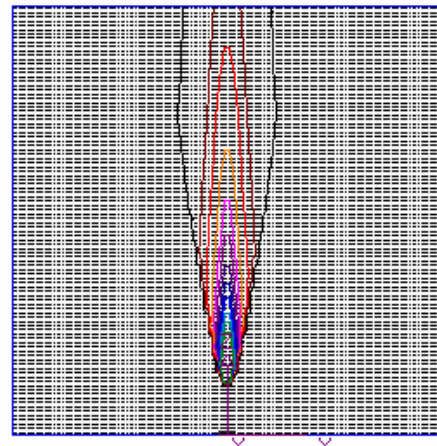
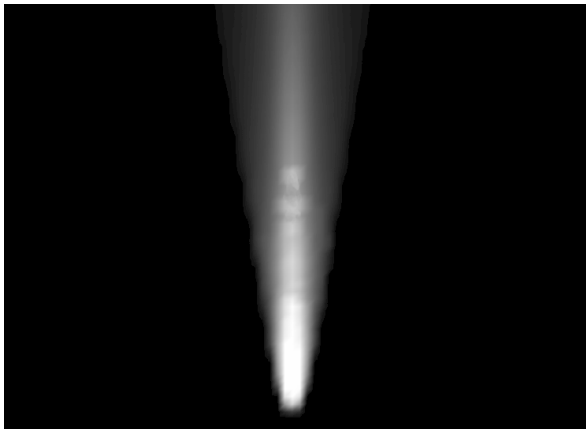
APPLICATIONS



25 FEET FROM SURFACE, 45 DEGREE TILT



25 FEET FROM SURFACE, 90 DEGREE TILT



1 FOOT FROM SURFACE, 180 DEGREE TILT