



EPSILON

An ideal solution for precise spot lighting.



“UNIQUE LIGHTING SOLUTIONS”

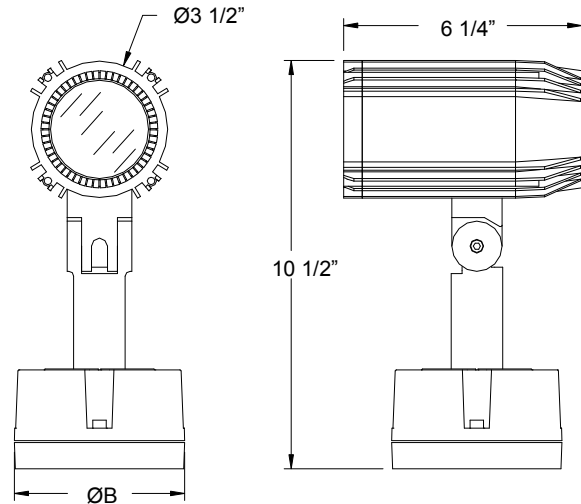
ORDERING

EPSILON-(watt)	(watt) = specified Wattage
-QRC	50W Max MRC-16 Halogen lamp
-QPR	50W Max PAR 20 Halogen lamp
-CDM	39W Max PAR 20 Metal Halide lamp
-LED	LED array, Contact Factory
-BK	Textured powder coat Black
-GY	Textured power coat Grey
-TF	Cast Metal Tenon Fitter
-CF	Custom Finish*
-XXX	Ballast Voltage*
-ELEC	Electronic Ballast
-AGS	Anti Glare Shield (internal)
-VS	Cutoff Visor (external)
-CL	Colored Lens*
-SPG	Special Glass Pattern*
-SNXX	Snoot in inches (note internal color)*

* Consult Factory

EXAMPLE: EP-50-CDM-BK-120-ELEC-VS

DIMENSIONS



Light Source	Diameter of Base (ØB)
-QRC or -QPR	4.38"
-CDM	6"

Consult factory for all LED applications to find the best solution for your project. Many configurations are available.

Lamp head is adjustable $\pm 95^\circ$ at the knuckle. The mounting stem rotates 315° at the base. The base is symmetric and can be mounted in any position, making the Epsilon a fixture that can be mounted at any aiming direction.

SPECIFICATIONS

Housing– High grade, cast aluminum with cast lens frame for complete seal against moisture.

Light Source– 39W PAR 20, medium base, ceramic metal halide.
50W PAR 20, medium base, halogen.
50W MRC-16, GU5.3 base, halogen.
LED module or lamp, consult factory.

Lens– Clear tempered glass lens. Frosted, patterned, or colored are also available.

Reflector– Integral to lamp.

Finish– High quality, outdoor, polyester, powder coat.

Electrical– Remote ballast for metal halide fixture. Integral driver for LED fixture.

Mounting– Direct surface mount.

Weight– Approximately 6 lbs (with no options).

Labels– NRTL Listed for wet locations.