



ETHA-FL

A wall or parapet mounted floodlight.



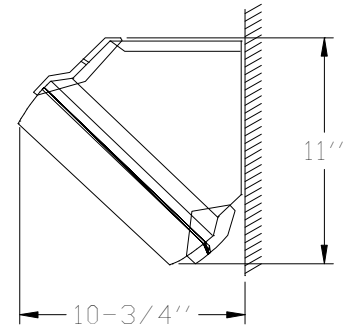
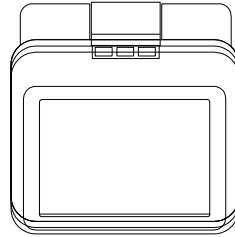
“UNIQUE LIGHTING SOLUTIONS”

ORDERING

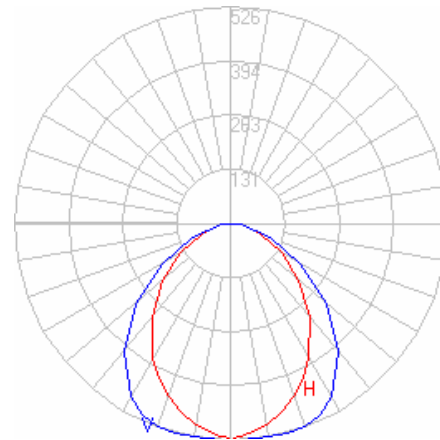
ETHA-(watt)	(watt) = specified Wattage
-FL	26W Fluorescent G24d lamp
-2FL	2x26W Fluorescent G24d lamp
-CRI	Color Rendering Index*
-CCT	Correlated Color Temperature*
-ELEC	Electronic Ballast
-CF	Custom Finish*
-XXX	Ballast Voltage*
-AGS	Anti Glare Shield (internal)
-CL	Colored Lens*
-SL1	Spread Lens (6°)
-SL2	Spread Lens (12°)
-SL3	Spread Lens (30°)
-SPG	Special Glass Pattern*
-AR	Asymmetric Reflector
-FLP	Facade Lighting Package
-SNXX	Snoot in inches (note internal color)*
-ETB	Extreme Temperature -30°C Ballast

* Consult Factory

DIMENSIONS



PHOTOMETRICS



MAX CANDELA = 526 @ ±2H ±4V
 Total Efficiency = 36%
 2 Lamp, 26W, FL shown

EXAMPLE: ETHA-26-2FL-82-3500-ELEC-120-ETB

SPECIFICATIONS

Housing– High grade, cast aluminum with a hinged doorframe for complete seal against moisture.

Lamps– 18W-42W Compact fluorescent, 4-pin lamp.

Lens– Clear, 3/16” thick, tempered glass lens. 6, 12, and 30 degree spread lens are optional, as well as frosted, patterned, or colored.

Reflector– High reflectance, spun aluminum for maximum control of beam. Façade lighting package is a formed, aluminum kicker is inserted to decrease scalloping.

Finish– High quality, outdoor, polyester, powder coat.

Ballast– Integral electronic ballasts. Extreme temperature electronic ballast is also available.

Mounting– Direct wall mounting.

Weight– Approximately 9 lbs.

Labels– NRTL Listed for wet locations.



ETHA-FL

A wall or parapet mounted floodlight.



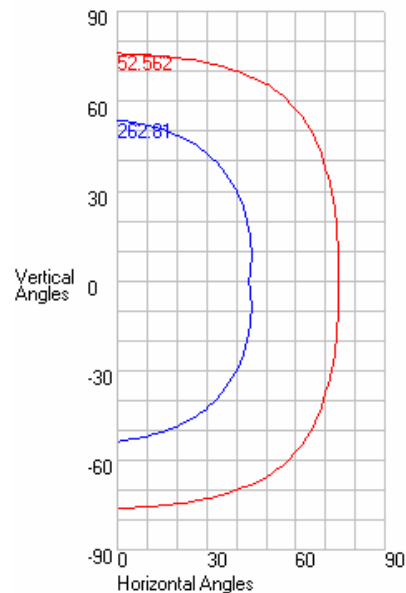
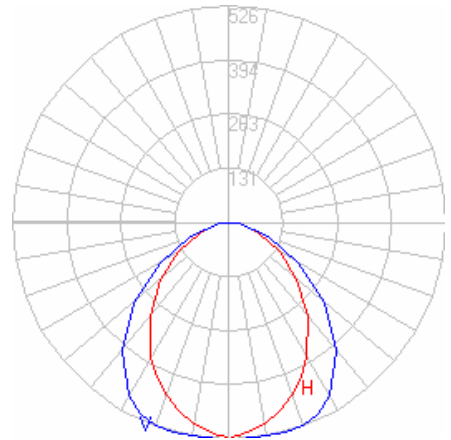
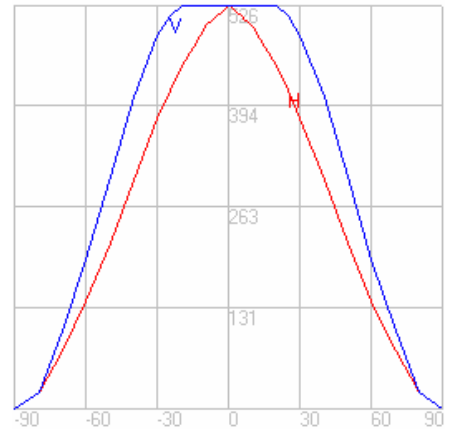
“UNIQUE LIGHTING SOLUTIONS”

FILE INFORMATION

Photometric Filename: 2879133.IES

Descriptive Information (From Photometric File)

IESNA91
 [TEST] FLS0143 CNV
 [MANUFAC] www.faeber.com
 [LUMCAT] 2879133
 [LUMINAIRE] ETHA/SM 2X26W FLC



CHARACTERISTICS

IES NEMA Type	7 H x 7 V
Maximum Candela	525.62
Maximum Candela Angle	2 H -4 V
Horizontal Beam Angle (50%)	89.6
Vertical Beam Angle (50%)	106.9
Horizontal Field Angle (10%)	148.6
Vertical Field Angle (10%)	152.0
Total Rated Lamp Lumens	3600 (2 lamps)
Beam Lumens	850.45
Beam Efficiency	23.62%
Field Lumens	1237.11
Field Efficiency	34.36%
Spill Lumens	34.56
Total Lumens	1271.68
Total Efficiency	35.32%

LUMEN MULTIPLIERS

WATT	TYPE	MULT
26	CFL	.50
2x26	CFL	1.00