



FPLX-DELTA-WL

An ideal solution for uniform sign or facade illumination.



“UNIQUE LIGHTING SOLUTIONS”

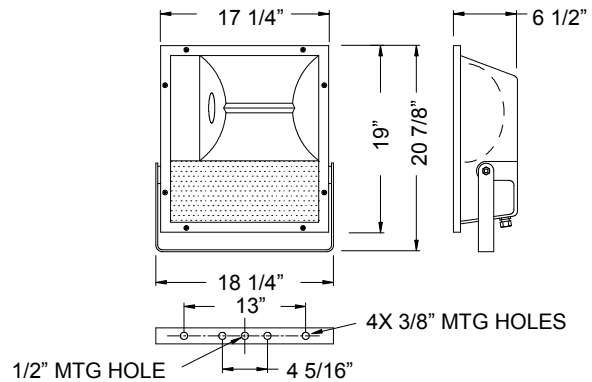
ORDERING

FPLX-DELTA-WL-(watt)	(watt) = specified Wattage
-MH	150W-400W Metal halide lamp
-HPS	150W-400W High Pressure Sodium
-CRI	Color Rendering Index*
-CCT	Color Correlated Temperature*
-ELEC	Electronic Ballast*
-TF	Cast Metal Tenon Fitter
-CF	Custom Finish*
-XXX	Ballast Voltage*
-CL	Colored Lens*
-SPG	Special Glass Pattern*
-VS	Cutoff Visor
-SNXX	Snoot in inches (note internal color)*

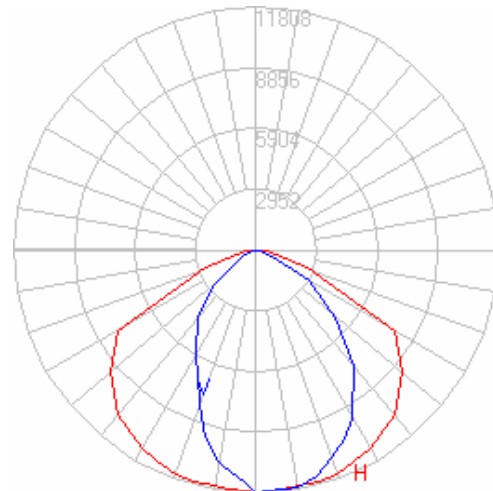
* Consult Factory

EXAMPLE: FPLX-DELTA-WL-400-HPS-21-2100-CWA-120-VS

DIMENSIONS



PHOTOMETRICS



MAX CANDELA = 11808 @ 0H 0V
 Total Efficiency = 61%
 1 Lamp, 400W, HPS shown

SPECIFICATIONS

Housing– High grade, cast aluminum with cast lens frame for complete seal against moisture.

Lamps– 150W to 400W HID lamp. Please contact factory for lamp selections not found on ordering selector.

Lens– Clear tempered glass lens. Special glass patterns are available, consult factory.

Reflector– Diffuse, wall wash, asymmetric, hammertone, aluminum, reflector to maintain a high degree of uniformity.

Finish– High quality, outdoor, polyester, powder coat.

Electrical– Integral core and coil ballast. Electronic ballasts are also available on some fixtures.

Mounting– The mounting is a formed steel yoke. Provided with degree indicators for easy positioning.

Weight– Approximately 36 lbs (with no options).

Labels– NRTL Listed for wet locations.



FPLX-DELTA-WL

An ideal solution for uniform sign or facade illumination.



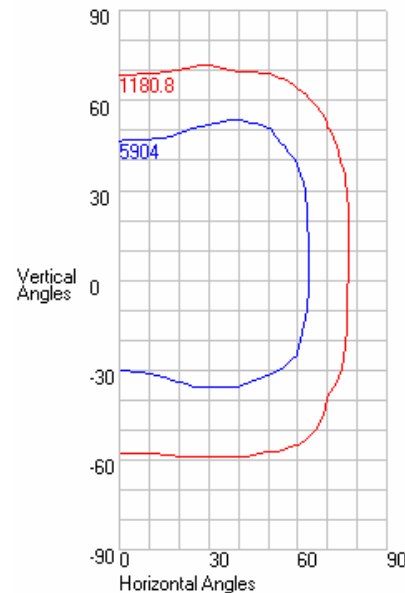
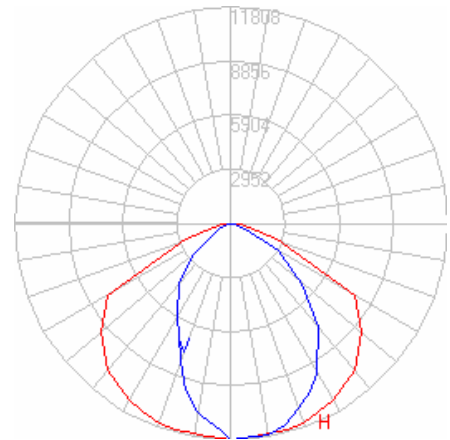
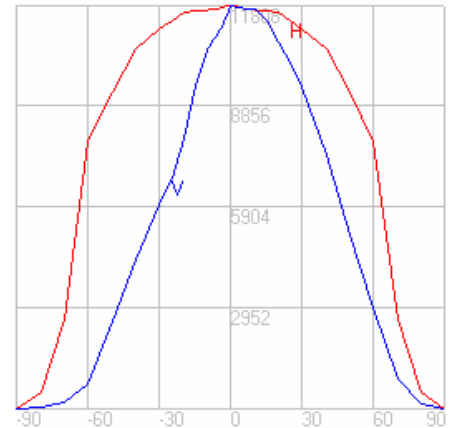
“UNIQUE LIGHTING SOLUTIONS”

FILE INFORMATION

Photometric Filename: 2026437.IES

Descriptive Information (From Photometric File)

IESNA91
 [TEST] FLS0075 CNV
 [MANUFAC] www.faeber.com
 [LUMCAT] 2026437
 [LUMINAIRE] DELTA/WL 400W HPS-T



CHARACTERISTICS

IES NEMA Type	7 H x 6 V
Maximum Candela	11808
Maximum Candela Angle	0 H 0 V
Horizontal Beam Angle (50%)	127.4
Vertical Beam Angle (50%)	76.8
Horizontal Field Angle (10%)	153.5
Vertical Field Angle (10%)	126.0
Total Rated Lamp Lumens	48000
Beam Lumens	22152.39
Beam Efficiency	46.15%
Field Lumens	28639.95
Field Efficiency	59.67%
Spill Lumens	552.38
Total Lumens	29192.34
Total Efficiency	60.82%

LUMEN MULTIPLIERS

WATT	TYPE	MULT	WATT	TYPE	MULT
150	MH	0.22	150	HPS	0.33
250	MH	0.44	200	HPS	0.46
400	MH	0.71	250	HPS	0.58
			400	HPS	1.00