



# FPLX

An ideal solution for uniform sign or facade illumination.



*“UNIQUE LIGHTING SOLUTIONS”*

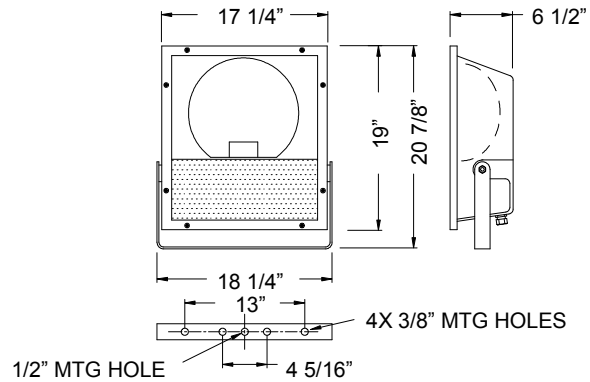
## ORDERING

FPLX-(watt)	(watt) = specified Wattage
-MH	150W Metal halide lamp
-HPS	High Pressure Sodium
-CRI	Color Rendering Index*
-CCT	Color Correlated Temperature*
-ELEC	Electronic Ballast
-TF	Cast Metal Tenon Fitter
-CF	Custom Finish*
-XXX	Ballast Voltage*
-AGS	Anti Glare Shield (internal)
-CL	Colored Lens*
-SL1	Spread Lens (6°)
-SL2	Spread Lens (12°)
-SL3	Spread Lens (30°)
-SPG	Special Glass Pattern*
-FLP	Facade Lighting Package
-SNXX	Snoot in inches (note internal color)*
-DR	Diffuse Reflector

\* Consult Factory

**EXAMPLE: FPLX-250-HPS-22-2100-CWA-120-SL1-FLP-SN24**

## DIMENSIONS



## PHOTOMETRICS

Photometrics  
Coming Soon

## SPECIFICATIONS

**Housing**– High grade, cast aluminum with cast lens frame for complete seal against moisture.

**Lamps**– 50W to 250W HID lamp. Please contact factory for lamp selections not found on ordering selector.

**Lens**– Clear tempered glass lens. 6, 12, and 30 degree spread lens are optional, as well as frosted, patterned, or colored.

**Reflector**– High quality 3002 aluminum, hydro-formed for maximum lumen output while maintaining a high degree of uniformity. Diffuse Reflector is also available.

**Finish**– High quality, outdoor, polyester, powder coat.

**Electrical**– Integral Core and coil ballast. Electronic ballasts are also available.

**Mounting**– The mounting is a formed steel yoke. Provided with degree indicators for easy positioning.

**Weight**– Approximately 36 lbs (with no options).

**Labels**– NRTL Listed for wet locations.