



HPW-FP

An ideal solution for controlling spill light,
for 25 to 125 feet.



“UNIQUE LIGHTING SOLUTIONS”

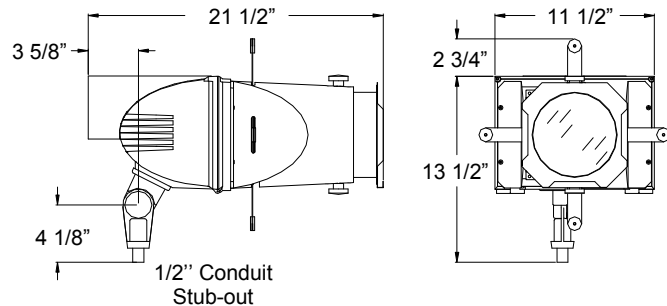
ORDERING

HPW-FP-(watt)	(watt) = specified Wattage
-MH	70W-150W Metal halide lamp
-CRI	Color Rendering Index*
-CCT	Correlated Color Temperature*
-CWA	Core and Coil Ballast
-ELEC	Electronic Ballast
-CB	Cast Metal Mounting Bracket
-TF	Cast Metal Tenon Fitter
-CF	Custom Finish*
-XXX	Ballast Voltage*
-CL	Colored Lens*
-CG	Custom Gobo*

* Consult Factory.

** Not compatible with stackable items.

DIMENSIONS



-The framing projector is made of aluminum. Horizontal and vertical cutoff, up to complete closure of the aperture.

EXAMPLE: HPW-FP-150-MH-85-3500-CB-120-GB

SPECIFICATIONS

Housing– High grade, cast aluminum with cast lens frame for complete seal against moisture. A lamp adjustment is conveniently located under the rear access cover.

Lamps– 70W to 150W HID. Please contact factory for lamp selections not found on ordering guide.

Lens– Clear tempered glass lens standard. Frosted, patterned, or colored are also available.

Reflector– High reflectance, spun aluminum for maximum control of beam.

Finish– High quality, outdoor, polyester, powder coat.

Projector– Focusing of main beam through convenient knobs on top and bottom. Four aperture shutters for precise and accurate cutoff.

Ballast– Electronic ballast is standard. A CWA Core and Coil ballast can be ordered as integral or remote.

Mounting- Rigid, cast 1/2" conduit stub out. Provided with a knuckle fitting for easy positioning.

Weight– Approximately 22 lbs (with no options).

Labels– NRTL Listed for wet locations.