



HPW

An ideal solution for controlling spill light,
for 25 to 125 feet.



“Your Source for Unique Lighting Solutions”

ORDERING

HPW-(watt)	(watt) = specified Wattage
-MH	150W Metal halide†lamp
-CRI	Color Rendering Index*
-CCT	Correlated Color Temperature*
-CWA	Core and Coil Ballast
-ELEC	Electronic Ballast
-CB	Cast Metal Mounting Bracket
-TF	Cast Metal Tenon Fitter
-CF	Custom Finish*
-XXX	Ballast Voltage*
-AGS	Anti Glare Shield (internal)
-CL	Colored Lens*
-SL2V	Spread Lens (12°), vertical direction
-SL3V	Spread Lens (30°), vertical direction
-SL2H	Spread Lens (12°), horizontal direction
-SL3H	Spread Lens (30°), horizontal direction
-SPG	Special Glass Pattern*
-FLP	Facade Lighting Package
-SNXX	Snoot in inches (note internal color)*
-FP	Framing Projector ‡
-RBB	Remote Ballast Box

* Consult Factory.

‡ See HPW-FP Cutsheet for Specifics

EXAMPLE: HPW-150-MH-85-3500-TF-SL2V-120

SPECIFICATIONS

Housing– High grade, cast aluminum with hinged cast lens frame for complete seal against moisture.

Lamps– 150W HID. Please contact factory for lamp selections not found on ordering guide.

Lens– Clear tempered glass lens standard. Frosted, patterned, or colored are also available.

Reflector– High reflectance, spun aluminum for maximum control of beam.

Finish– High quality, outdoor, polyester, powder coat.

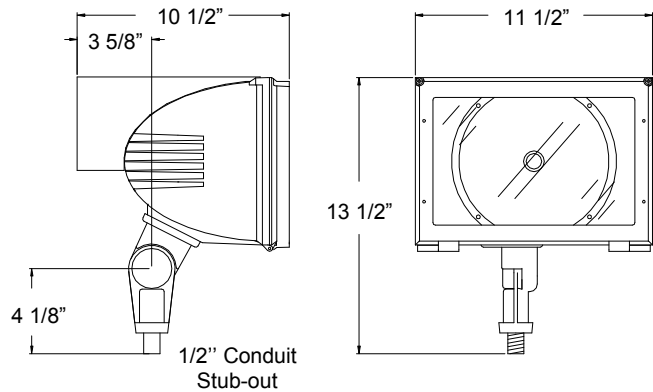
Ballast– Electronic ballast is standard. A CWA Core and Coil ballast can be ordered as integral or remote.

Mounting– Rigid, cast 1/2" conduit stub out. Provided with a knuckle fitting for easy positioning.

Weight– Approximately 16 lbs (with no options).

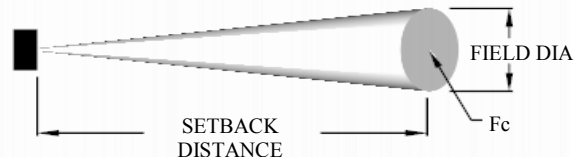
Labels– NRTL Listed for wet locations.

DIMENSIONS



PHOTOMETRICS

SETBACK DISTANCE (FEET)	Fc AT CENTER	FIELD DIA (FEET)
50	65.8	18.4
100	16.4	36.7
150	7.3	55.1
200	4.1	73.4





HPW

An ideal solution for controlling spill light,
for 25 to 125 feet.



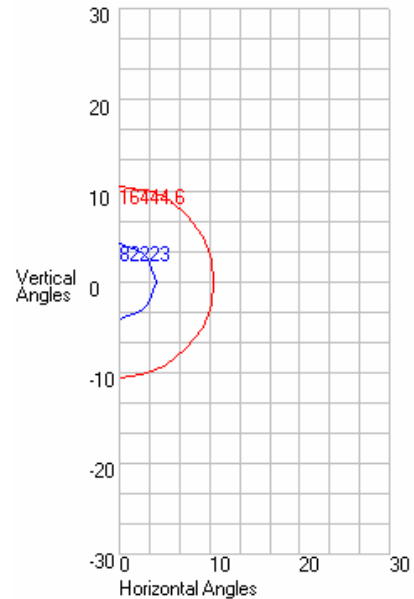
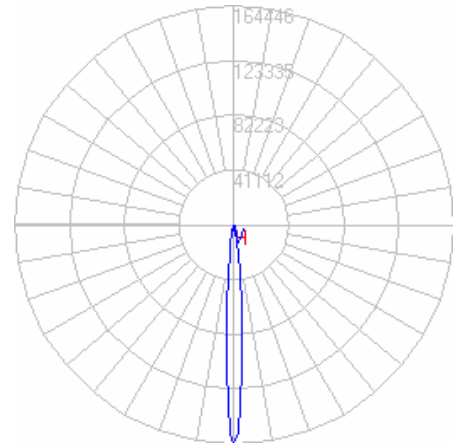
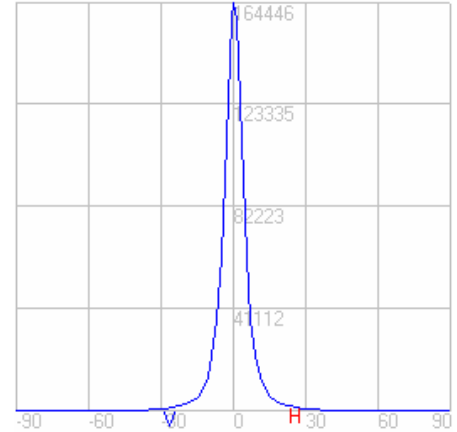
“UNIQUE LIGHTING SOLUTIONS”

FILE INFORMATION

Photometric Filename: LLI060501C.IES

Descriptive Information (From Photometric File)

IESNA:LM-63-2002
 [TEST] LLI 0605-01C
 [TESTLAB] LIGHT LABORATORY INC
 [ISSUEDATE] 6/1/2005
 [MANUFAC] ARC LIGHTING SYSTEMS.
 [LUMCAT] HPW-150-MH-85-3000-CWA-120
 [LUMINAIRE] 10-3/8" DIA. X 11-3/4"H. FLOOD LIGHT.
 [MORE] SPECULAR REFLECTOR.
 [MORE] FLAT TEMPERED GLASS LENS.
 [BALLASTCAT] AROMAT M15012CK-3EU-SB1
 [BALLAST] 120V 50/60Hz ELECTRONIC.
 [LAMPPOSITION] 0,0
 [LAMPCAT] PHILIPS CDM150/T6/830
 [LAMPLUM] 13500
 [INPUT] 120V, 167.9W



CHARACTERISTICS

Characteristics

IES NEMA Type	2 H x 2 V
Maximum Candela	164446
Maximum Candela Angle	0 H 0 V
Horizontal Beam Angle (50%)	8.3
Vertical Beam Angle (50%)	8.3
Horizontal Field Angle (10%)	20.8
Vertical Field Angle (10%)	20.8
Total Rated Lamp Lumens	13500
Beam Lumens	1768.11
Beam Efficiency	13.10%
Field Lumens	5005.24
Field Efficiency	37.08%
Spill Lumens	2725.2
Total Lumens	7730.45
Total Efficiency	57.26%



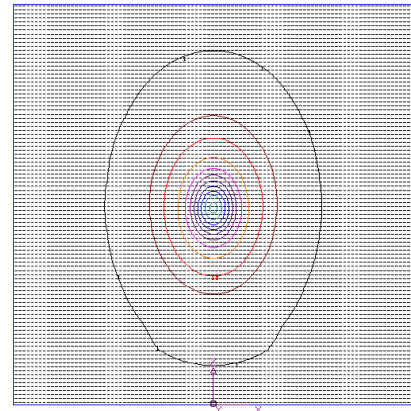
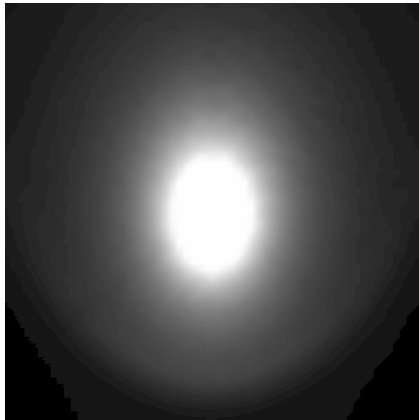
HPW

An ideal solution for controlling spill light,
for 25 to 125 feet.

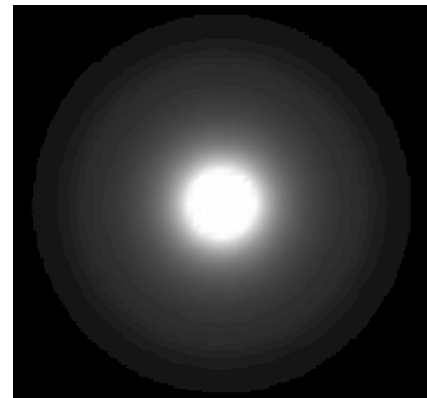
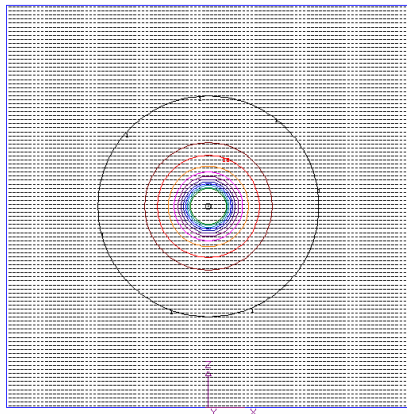


“UNIQUE LIGHTING SOLUTIONS”

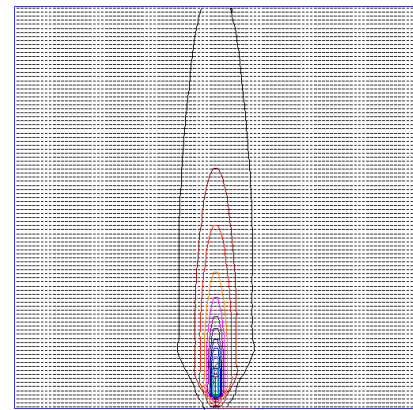
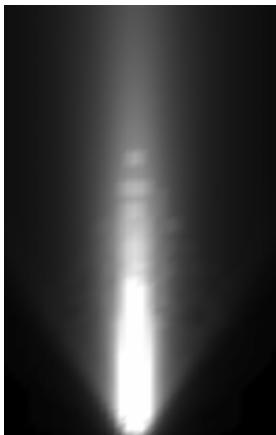
APPLICATIONS



25 FEET FROM SURFACE, 45 DEGREE TILT



25 FEET FROM SURFACE, 90 DEGREE TILT



1 FOOT FROM SURFACE, 180 DEGREE TILT