



HPW-VARIACOLOR

Interactive color changing DMX controlled accent light.



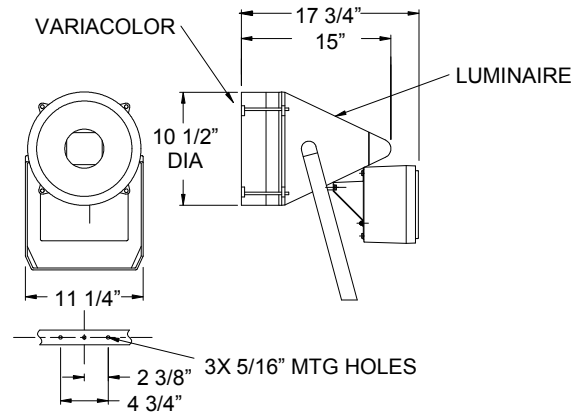
“UNIQUE LIGHTING SOLUTIONS”

ORDERING

HPW-VAR-(watt)	(watt) = specified Wattage
-MH	150W Metal halide lamp
-CRI	Color Rendering Index*
-CCT	Correlated Color Temperature*
-CWA	Core and Coil Ballast
-ELEC	Electronic Ballast
-CB	Cast Metal Mounting Bracket
-TF	Cast Metal Tenon Fitter
-CF	Custom Finish*
-XXX	Ballast Voltage*
-SNXX	Snoot in inches (note internal color)*
-VS	Cutoff Visor
-RBB	Remote Ballast Box

* Consult Factory

DIMENSIONS



- Internal controller or interactive DMX controllers available.

- CMY system.

EXAMPLE: HPW-VAR-150-MH-85-3500-CWA-CB-120

SPECIFICATIONS

Housing– High grade, cast aluminum with cast lens frame for complete seal against moisture.

Lamps– 150W HID. Contact factory for lamp selections not found on ordering selector.

Lens– Clear tempered glass lens.

Color– CMY filter system with stand alone programming, or DMX controllers available for even more color sequencing.

Reflector– High reflectance, spun aluminum for maximum control of beam.

Finish– High quality, outdoor, polyester, powder coat.

Ballast– High power factor, core and coil ballast can be either remote or integrally mounted on yoke. Electronic ballasts are also available.

Mounting- The mounting is a rigid, hot dipped, galvanized steel yoke. Provided with cup washers on each side of the fixture with degree indicators for easy positioning.

Weight– Approximately 28 lbs (with no options).

Labels– NRTL Listed for wet locations.