



# LYBRA-AS

An ideal solution for harsh environment,  
asymmetric area illumination.



**“UNIQUE LIGHTING SOLUTIONS”**

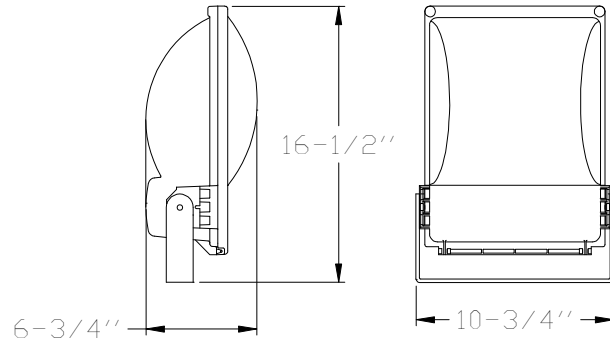
## ORDERING

LYB-AS-(watt)	(watt) = specified Wattage
-MH	70W-100W ED-17 MH Lamp
-HPS	70W-100W ED-17 HPS Lamp
-CRI	Color Rendering Index*
-CCT	Correlated Color Temperature*
-CWA	Core and Coil Ballast
-ELEC	Electronic Ballast**
-TF	Cast Metal Tenon Fitter
-CB	Cast Metal Mounting Bracket
-WHT	White Polycarbonate Housing
-BLK	Black Polycarbonate Housing
-XXX	Ballast Voltage*
-IBB	Integral Ballast
-RBB	Remote Ballast Box

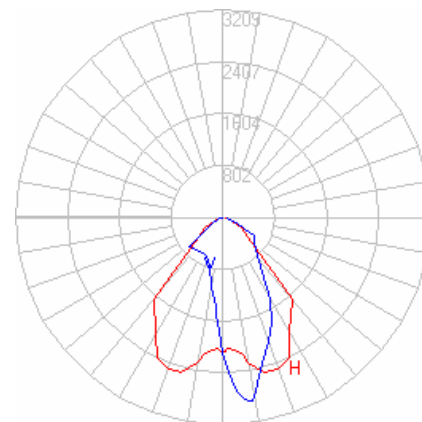
\* Consult Factory  
\*\* Metal Halide Only

**EXAMPLE: LYB-AS-70-MH-82-3000-ELEC-120-IBB**

## DIMENSIONS



## PHOTOMETRICS



MAX CANDELA = 3209 @ ±15H 8V  
Total Efficiency = 73%  
1 Lamp, 70W, MH shown

## SPECIFICATIONS

**Housing**– Polycarbonate with pressed on silicone gasketing for complete seal against moisture.

**Lamps**– 70W or 100W, ED-17, Medium Base, metal halide or high pressure sodium lamp.

**Lens**– Hinged, polycarbonate, convex diffusing lens.

**Reflector**– Diffuse, hammertone, aluminum, formed asymmetric reflector.

**Finish**– White or Black polycarbonate.

**Electrical**– Remote or integral core and coil ballast. Electronic ballast is also available on MH fixtures.

**Mounting**– A robust formed steel yoke. Provided with degree indicators on the back mounting flanges.

**Weight**– Approximately 14 lbs (with no options).

**Labels**– NRTL Listed for wet locations.



# LYBRA-AS

An ideal solution for harsh environment,  
asymmetric area illumination.



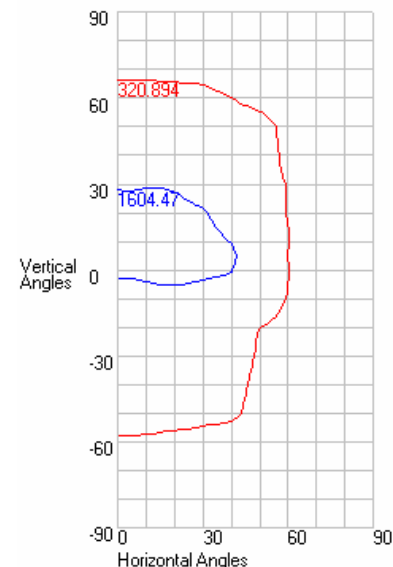
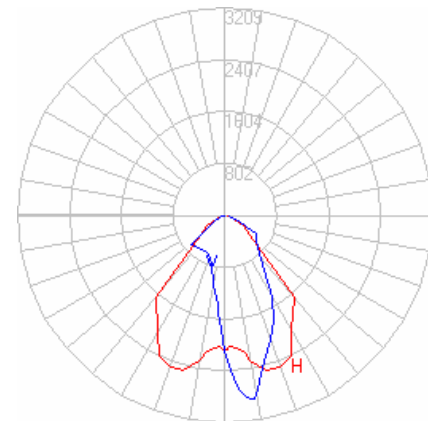
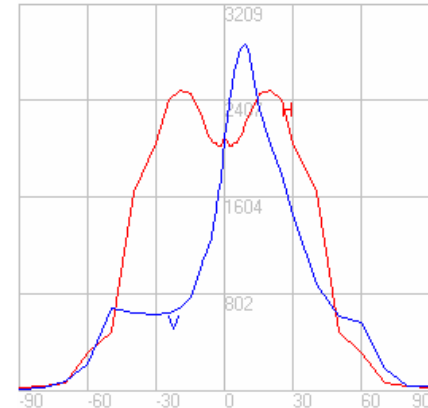
**“UNIQUE LIGHTING SOLUTIONS”**

## FILE INFORMATION

**Photometric Filename:** 2086817.IES

### Descriptive Information (From Photometric File)

IESNA91  
 [TEST] RLP230  
 [MANUFAC] www.faeber.com  
 [LUMCAT] 2086817  
 [LUMINAIRE] LYBRA/AS 70WMH-E CLEAR



## CHARACTERISTICS

IES NEMA Type	6 H x 6 V
Maximum Candela	3208.94
Maximum Candela Angle	15 H 8 V
Horizontal Beam Angle (50%)	81.1
Vertical Beam Angle (50%)	33.6
Horizontal Field Angle (10%)	120.4
Vertical Field Angle (10%)	122.7
Total Rated Lamp Lumens	5000
Beam Lumens	1470.46
Beam Efficiency	29.41%
Field Lumens	3383.7
Field Efficiency	67.67%
Spill Lumens	259.10
Total Lumens	3642.8
Total Efficiency	72.86%

## LUMEN MULTIPLIERS

WATT	TYPE	MULT
70	MH	1.00
100	MH	1.48
70	HPS	0.96
100	HPS	1.74