



LYBRA-SM

An ideal solution for harsh environment,
symmetric area illumination.



“UNIQUE LIGHTING SOLUTIONS”

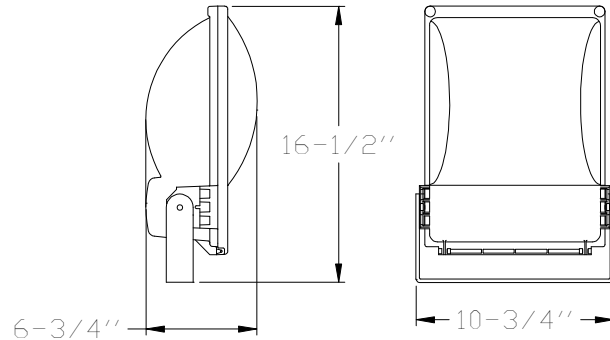
ORDERING

LYB-SM-(watt)	(watt) = specified Wattage
-MH	70W-100W ED-17 MH Lamp
-HPS	70W-100W ED-17 HPS Lamp
-CRI	Color Rendering Index*
-CCT	Correlated Color Temperature*
-CWA	Core and Coil Ballast
-ELEC	Electronic Ballast**
-TF	Cast Metal Tenon Fitter
-CB	Cast Metal Mounting Bracket
-WHT	White Polycarbonate Housing
-BLK	Black Polycarbonate Housing
-XXX	Ballast Voltage*
-IBB	Integral Ballast
-RBB	Remote Ballast Box

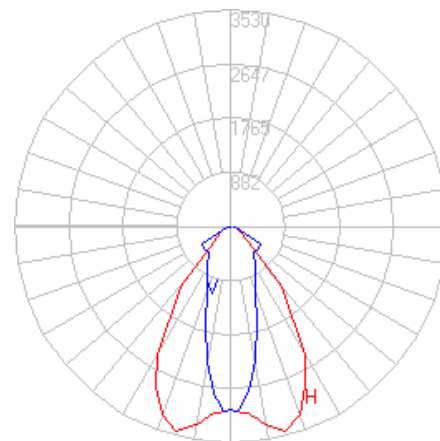
* Consult Factory
** Metal Halide Only

EXAMPLE: LYB-SM-70-MH-82-3000-ELEC-120-IBB

DIMENSIONS



PHOTOMETRICS



MAX CANDELA = 3530 @ ±15H ±1V
Total Efficiency = 73%
1 Lamp, 70W, MH shown

SPECIFICATIONS

Housing– Polycarbonate with pressed on silicone gasketing for complete seal against moisture.

Lamps– 70W or 100W, ED-17, Medium Base, metal halide or high pressure sodium lamp.

Lens– Hinged, polycarbonate, convex diffusing lens.

Reflector– Diffuse, hammertone, aluminum, formed symmetric reflector.

Finish– White or Black polycarbonate.

Electrical– Remote or integral core and coil ballast. Electronic ballast is also available on MH fixtures.

Mounting– A robust formed steel yoke. Provided with degree indicators on the back mounting flanges.

Weight– Approximately 14 lbs (with no options).

Labels– NRTL Listed for wet locations.



LYBRA-SM

An ideal solution for harsh environment,
symmetric area illumination.



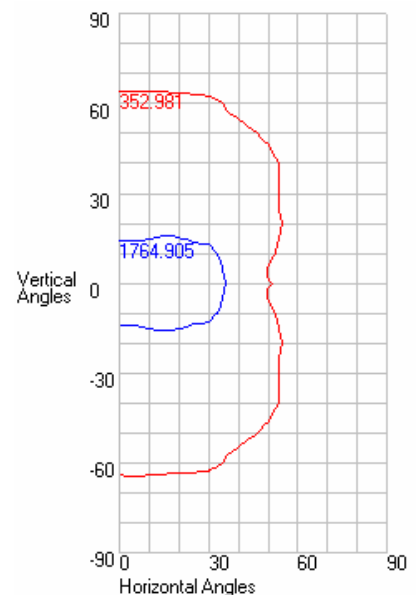
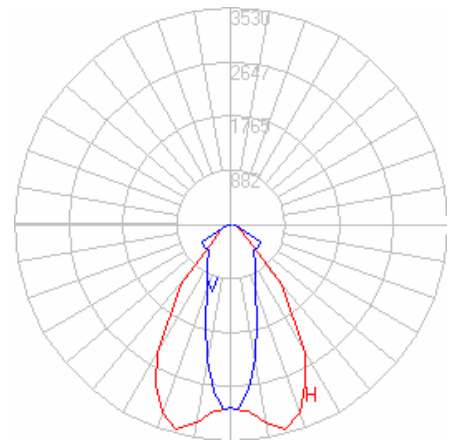
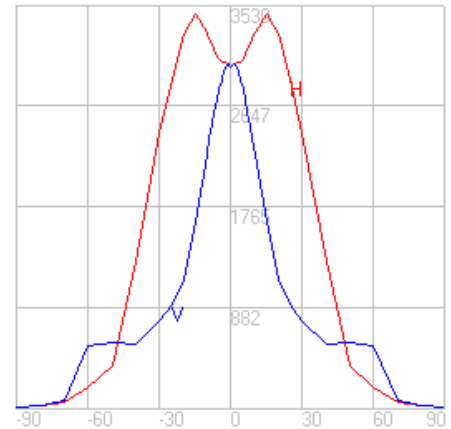
“UNIQUE LIGHTING SOLUTIONS”

FILE INFORMATION

Photometric Filename: 2096817.IES

Descriptive Information (From Photometric File)

IESNA91
 [TEST] RLP225
 [MANUFAC] www.faeber.com
 [LUMCAT] 2096817
 [LUMINAIRE] LYBRA/SM 70W MH-E CLEAR



CHARACTERISTICS

IES NEMA Type	6 H x 6 V
Maximum Candela	3529.81
Maximum Candela Angle	-15 H -1 V
Horizontal Beam Angle (50%)	72.1
Vertical Beam Angle (50%)	31.9
Horizontal Field Angle (10%)	105.2
Vertical Field Angle (10%)	127.6
Total Rated Lamp Lumens	5000
Beam Lumens	1403.25
Beam Efficiency	28.07%
Field Lumens	3359.02
Field Efficiency	67.18%
Spill Lumens	303.46
Total Lumens	3662.48
Total Efficiency	73.25%

LUMEN MULTIPLIERS

WATT	TYPE	MULT
70	MH	1.00
100	MH	1.48
70	HPS	0.96
100	HPS	1.74