



MBMF-EXTREME WITH GLASS REFLECTOR

An ideal solution for industrial or severe locations,
for 70 to 400 feet.



“UNIQUE LIGHTING SOLUTIONS”

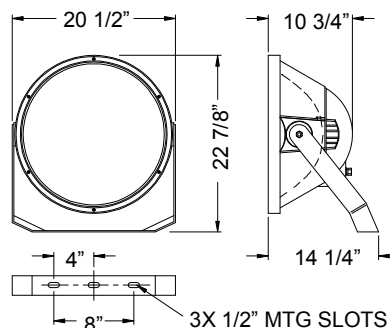
ORDERING

MBMF-EXTREME-(watt)	(watt) = specified Wattage
-MH	150W-250W Metal Halide Lamp
-HPS	70W-250W High Pressure Sodium Lamp
-CRI	Color Rendering Index*
-CCT	Correlated Color Temperature*
-CWA	Core and Coil Ballast
-ELEC	Electronic Ballast
-GR	Glass Reflector
-CB	Cast Metal Mounting Bracket
-TF	Cast Metal Tenon Fitter
-CF	Custom Finish*
-XXX	Ballast Voltage*
-AGS	Anti Glare Shield (internal)
-CL	Colored Lens*
-SPG	Special Glass Pattern*
-FLP	Facade Lighting Package
-SNXX	Snoot in inches (note internal color)*
-RBB	Remote Ballast Box

* Consult Factory

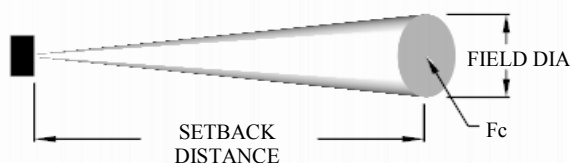
EXAMPLE: MBMF-EXTREME-150-MH-90-4000-CWA-GR-CB-120-SN24

DIMENSIONS



PHOTOMETRICS

SETBACK DISTANCE (FEET)	Fc AT CENTER	FIELD DIA (FEET)
50	470.1	10.6
100	117.5	21.2
150	52.2	31.8
200	29.4	42.4
250	18.8	53.0
300	13.1	63.6
350	9.6	74.2



SPECIFICATIONS

Housing– High grade, cast aluminum with cast lens frame for complete seal against moisture. Re-lamping is accomplished using a convenient, hinged, rear access cover.

Lamps– 150W to 250W HID. Please contact factory for lamp selections not found on ordering selector.

Lens– Clear tempered glass lens. 12, and 30 degree spread lens are optional, as well as frosted, patterned, or colored.

Reflector– High reflectance, spun aluminum, fitted with a mirrored, glass reflector for precision applications.

Finish– High quality, outdoor, polyester, powder coat.

Ballast– High power factor, core and coil ballast can be either remote or integrally mounted on yoke. Electronic ballasts are also available.

Mounting- The mounting is a rigid, hot dipped, galvanized steel yoke. Provided with cup washers on each side of the fixture with degree indicators for easy positioning.

Weight– Approximately 40 lbs. (With no other options)

Labels– NRTL Listed for wet locations.



MBMF-EXTREME WITH GLASS REFLECTOR

An ideal solution for industrial or severe locations,
for 70 to 400 feet.



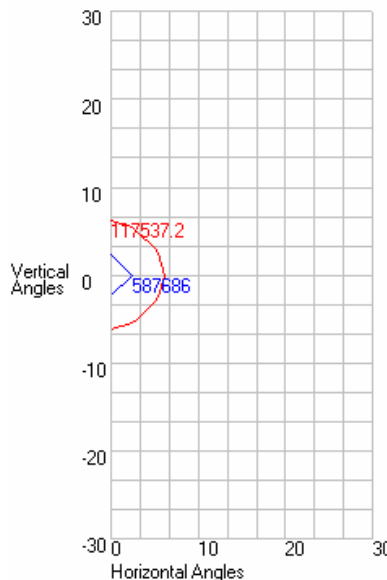
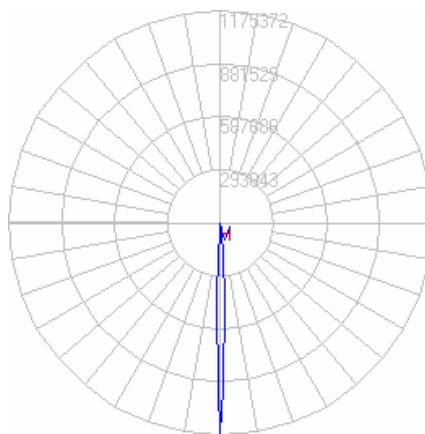
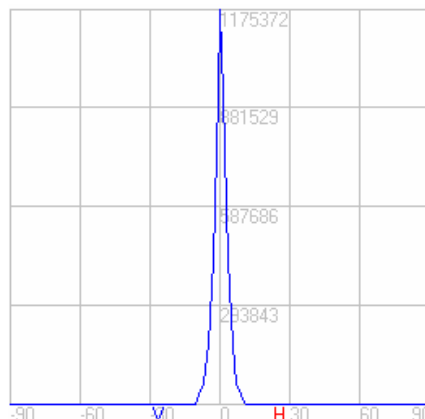
“UNIQUE LIGHTING SOLUTIONS”

FILE INFORMATION

Photometric Filename: LLI090412A.IES

Descriptive Information (From Photometric File)

IESNA:LM-63-2002
 [TEST] LLI 0904-12A
 [TESTLAB] LIGHT LABORATORY INC
 [ISSUEDATE] 9/30/2004
 [MANUFAC] ARC LIGHTING SYSTEMS.
 [LUMCAT] MBMF-150-MH-95-4000-CWA-120-GR
 [LUMINAIRE] 14-3/8" DIA. X 12-1/4" SEARCH LIGHT.
 [MORE] GLASS REFLECTOR.
 [MORE] TEMPERED FLAT GLASS LENS.
 [BALLASTCAT] ADVANCE M102 71A54A3
 [BALLAST] 120 60Hz MAGNETIC.
 [LAMPPOSITION] 0.90
 [LAMPCAT] PHILIPS CDM150/T6/830
 [LAMPLUM] 13500
 [WATT] 178.4



CHARACTERISTICS

IES NEMA Type	1 H x 1 V
Maximum Candela	1175372
Maximum Candela Angle	0 H 0 V
Horizontal Beam Angle (50%)	4.7
Vertical Beam Angle (50%)	4.7
Horizontal Field Angle (10%)	12.1
Vertical Field Angle (10%)	12.1
Total Rated Lamp Lumens	13500
Beam Lumens	4248.39
Beam Efficiency	31.47%
Field Lumens	11606.62
Field Efficiency	85.97%
Spill Lumens	2858.57
Total Lumens	14465.19
Total Efficiency	107.15%

LUMEN MULTIPLIERS

WATT	TYPE	MULT
150	CMH	1.00
150	MH	0.50
250	MH	1.00
70	HPS	0.23

WATT	TYPE	MULT
100	HPS	0.42
150	HPS	0.73
200	HPS	1.04
250	HPS	1.31



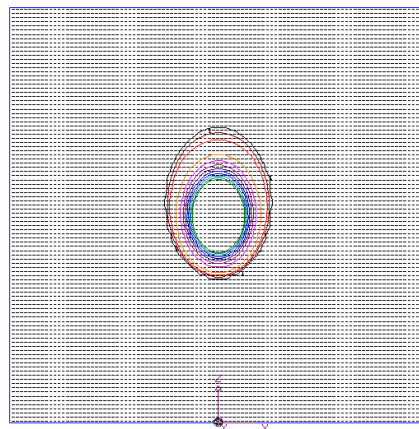
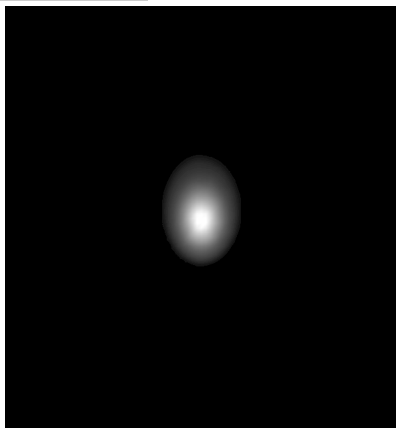
MBMF-EXTREME WITH GLASS REFLECTOR

An ideal solution for industrial or severe locations,
for 70 to 400 feet.

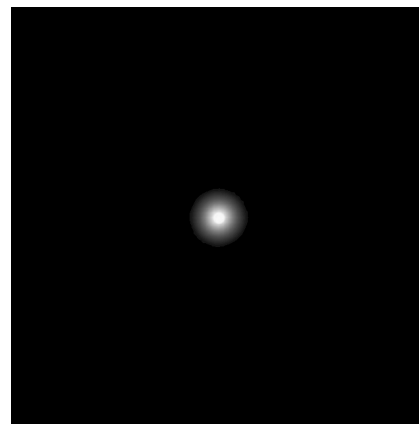
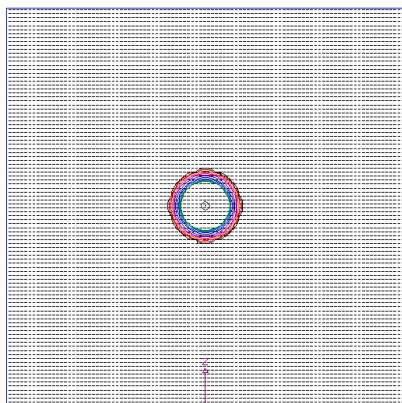


“UNIQUE LIGHTING SOLUTIONS”

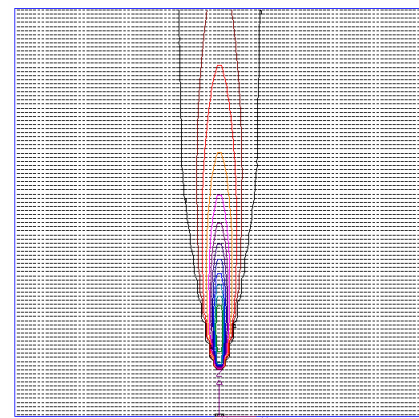
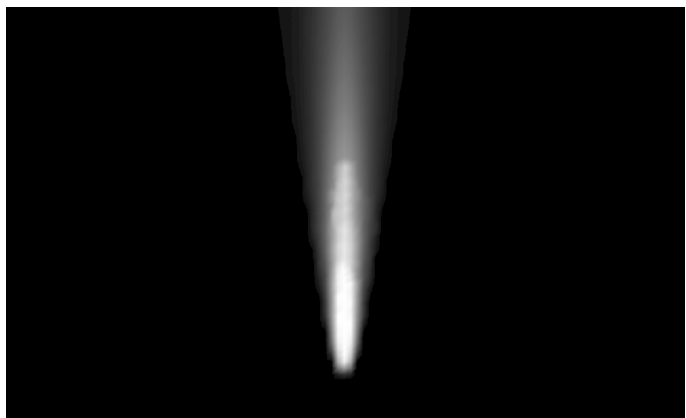
APPLICATIONS



25 FEET FROM SURFACE, 45 DEGREE TILT



25 FEET FROM SURFACE, 90 DEGREE TILT



1 FOOT FROM SURFACE, 180 DEGREE TILT