



# TECNO

A precise beam floodlight.



**“UNIQUE LIGHTING SOLUTIONS”**

ORDERING	
TECNO-(watt)	(watt) = specified Wattage
-MH	250W-400W MH Lamp
-HPS	250W-400W HPS Lamp
-CRI	Color Rendering Index*
-CCT	Correlated Color Temperature*
-CWA	Core and Coil Ballast
-1LP	One (1) Lamp Horizontal
-2LP	Two (2) Lamps , end to end, Horizontal**
-CB	Cast Metal Mounting Bracket
-TF	Cast Metal Tenon Fitter
-CF	Custom Finish*
-XXX	Ballast Voltage*
-AGS	Anti Glare Shield (internal)
-CL	Colored Lens*
-SL1	Spread Lens (6°)
-SL2	Spread Lens (12°)
-SL3	Spread Lens (30°)
-SPG	Special Glass Pattern*
-FLP	Facade Lighting Package
-IBB	Integral Ballast Box (sidecar)
-RBB	Remote Ballast Box

\* Consult Factory  
 \*\* Available on RBB units only

**EXAMPLE: TECNO-400-MH-90-5000-CWA-120-RBB**

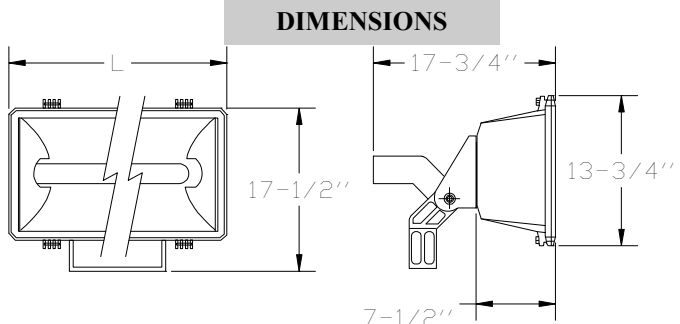
## SPECIFICATIONS

**Housing**– High grade, cast aluminum with cast, hinged lens frame for complete seal against moisture.

**Lamps**– One (1) 1000W BT37. One (1), two (2) lamp 250W to 400W HID lamps or any combination of two (2) lamp HID. Please contact factory for lamp selections not found on ordering selector.

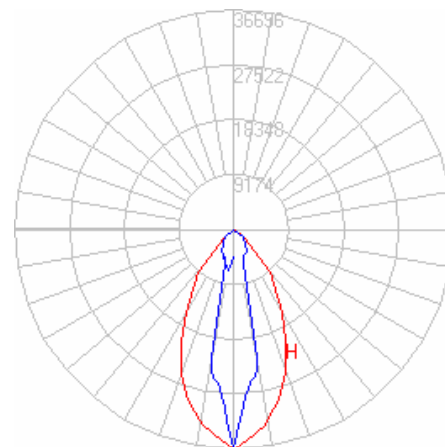
**Lens**– Clear tempered glass lens. Spread lens of 6°, 12°, or 30° are available. Frosted, patterned, or colored lens are also available.

**Reflector**– Highly specular, aluminum, formed reflector.



TYPE	No of LAMPS	'L'
RBB	1	17-3/4"
IBB	1	22"
RBB	2	31"

## PHOTOMETRICS



MAX CANDELA = 36696 @ 0H 0V  
 Total Efficiency = 61%  
 1 Lamp, 400W, MH shown

**Finish**– High quality, outdoor, polyester, powder coat.

**Electrical**– Remote or integral core and coil ballast.

**Mounting**– A robust formed steel yoke. Provided with degree indicators on the back mounting flanges.

**Weight**– Approximately; 1P-RBB = 19 lbs (with no options).  
 1P-IBB = 38 lbs (with no options).  
 2P RBB = 25 lbs (with no options).

**Labels**– NRTL Listed for wet locations.



# TECNO

A precise beam floodlight.



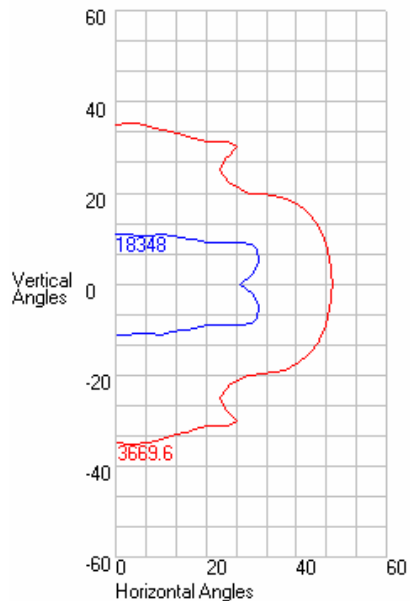
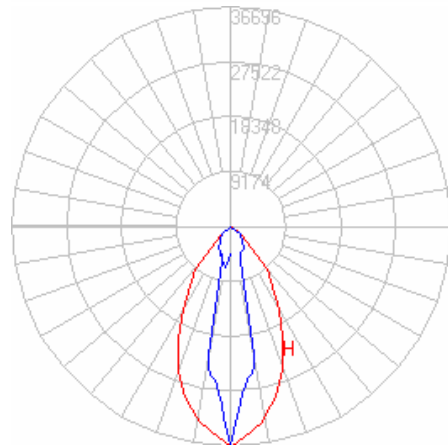
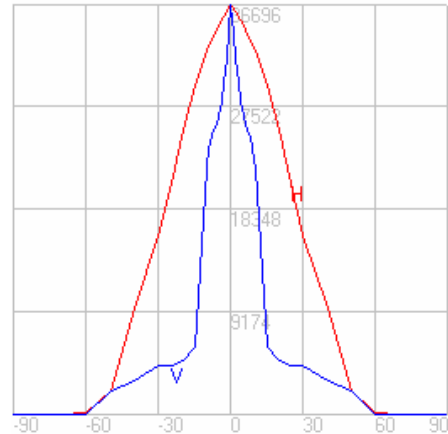
**“UNIQUE LIGHTING SOLUTIONS”**

### FILE INFORMATION

**Photometric Filename:** 1620030MT400.IES

#### Descriptive Information (From Photometric File)

IESNA91  
 [TEST] FLS0095 CNV  
 [MANUFAC] www.faeber.com  
 [LUMCAT] 1620030-MT400  
 [LUMINAIRE] TECNO/10-400W MH-T



### CHARACTERISTICS

IES NEMA Type	5 H x 4 V
Maximum Candela	36696
Maximum Candela Angle	0 H 0 V
Horizontal Beam Angle (50%)	54.9
Vertical Beam Angle (50%)	22.3
Horizontal Field Angle (10%)	95.7
Vertical Field Angle (10%)	69.9
Total Rated Lamp Lumens	33000
Beam Lumens	7997.6
Beam Efficiency	24.24%
Field Lumens	15795.43
Field Efficiency	47.86%
Spill Lumens	4150.88
Total Lumens	19946.31
Total Efficiency	60.44%

### LUMEN MULTIPLIERS

WATT	TYPE	MULT
250	MH	0.63
400	MH	1.00
250	HPS	0.82
400	HPS	1.41



# TIGER-AS

An ideal solution for uniform area lighting, with tool-less re-lamping and maintenance.



*“UNIQUE LIGHTING SOLUTIONS”*

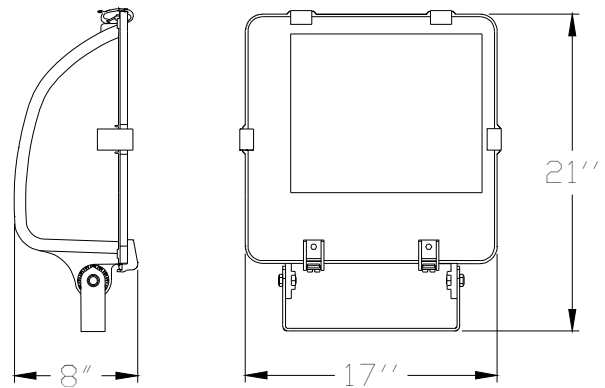
## ORDERING

TGAS-(watt)	(watt) = specified Wattage
-MH	150W-400W Metal halide lamp
-HPS	150W-400W High Pressure Sodium
-CRI	Color Rendering Index*
-CCT	Color Correlated Temperature*
-TF	Cast Metal Tenon Fitter
-CF	Custom Finish*
-XXX	Ballast Voltage*
-VS	Cutoff Visor
-LV	External Louver
-CL	Colored Lens*
-SPG	Special Glass Pattern*
-RBB	Remote Ballast Box

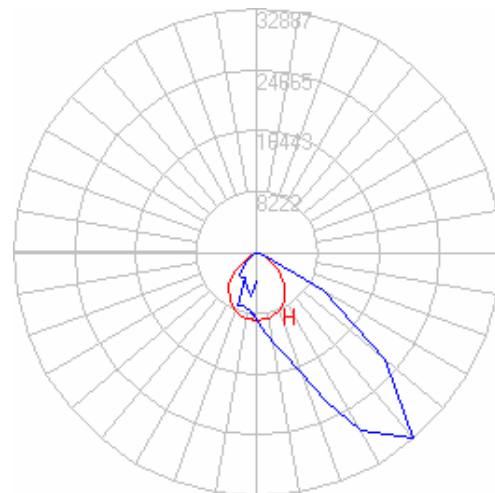
\* Consult Factory

**EXAMPLE: TGAS-400-HPS-22-2100-CWA-120-RBB**

## DIMENSIONS



## PHOTOMETRICS



MAX CANDELA = 32887 @ ±5H 40V  
 Total Efficiency = 70%  
 400W MH shown

## SPECIFICATIONS

**Housing**– High grade, cast aluminum with aluminum clamps for constant pressure of lens to gasket.

**Lamps**– 150W to 400W HID lamp. Please contact factory for lamp selections not found on ordering selector.

**Lens**– Clear tempered glass lens. Frosted, patterned, or colored are also available. Tool-less hinged clamps for ease of re-lamping and ballast maintenance.

**Reflector**– Diffuse hammertone, asymmetric reflector to maintain a high degree of uniformity.

**Finish**– High quality, outdoor, polyester, powder coat.

**Electrical**– Integral core and coil ballast.

**Mounting**– A formed steel yoke. Ideal for ground or pole mount options. Provided with degree indicators on each end of the yoke for easy positioning.

**Weight**– Approximately 30 lbs (with no options).

**Labels**– NRTL Listed for wet locations.