



TIGER-AS

An ideal solution for uniform area lighting, with tool-less re-lamping and maintenance.



“UNIQUE LIGHTING SOLUTIONS”

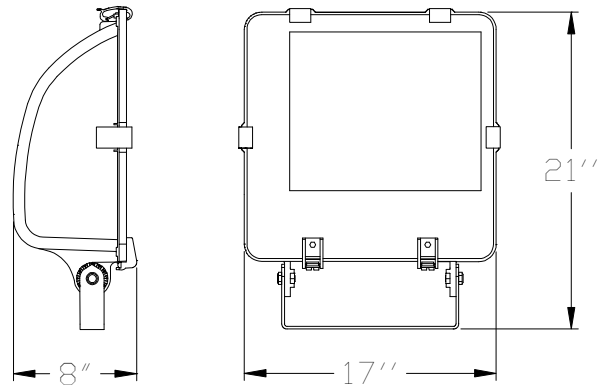
ORDERING

YGAS-(watt)	(watt) = specified Wattage
-MH	150W-400W Metal halide lamp
-HPS	150W-400W High Pressure Sodium
-CRI	Color Rendering Index*
-CCT	Color Correlated Temperature*
-TF	Cast Metal Tenon Fitter
-CF	Custom Finish*
-XXX	Ballast Voltage*
-VS	Cutoff Visor
-LV	External Louver
-CL	Colored Lens*
-SPG	Special Glass Pattern*
-RBB	Remote Ballast Box

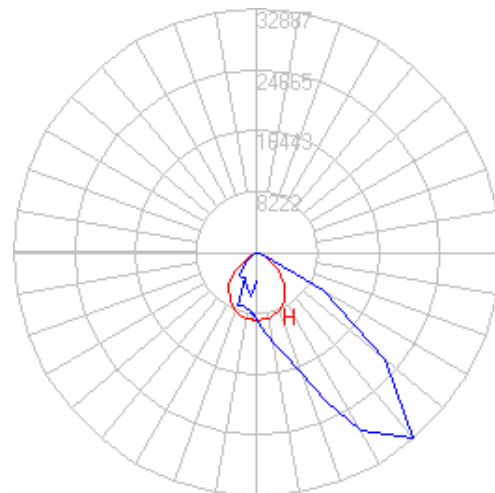
* Consult Factory

EXAMPLE: YGAS-400-HPS-22-2100-CWA-120-RBB

DIMENSIONS



PHOTOMETRICS



MAX CANDELA = 32887 @ ±5H 40V
 Total Efficiency = 70%
 400W MH shown

SPECIFICATIONS

Housing– High grade, cast aluminum with aluminum clamps for constant pressure of lens to gasket.

Lamps– 150W to 400W HID lamp. Please contact factory for lamp selections not found on ordering selector.

Lens– Clear tempered glass lens. Frosted, patterned, or colored are also available. Tool-less hinged clamps for ease of re-lamping and ballast maintenance.

Reflector– Diffuse hammertone, asymmetric reflector to maintain a high degree of uniformity.

Finish– High quality, outdoor, polyester, powder coat.

Electrical– Integral core and coil ballast.

Mounting– A formed steel yoke. Ideal for ground or pole mount options. Provided with degree indicators on each end of the yoke for easy positioning.

Weight– Approximately 30 lbs (with no options).

Labels– NRTL Listed for wet locations.



TIGER-AS

An ideal solution for uniform area lighting, with tool-less re-lamping and maintenance.



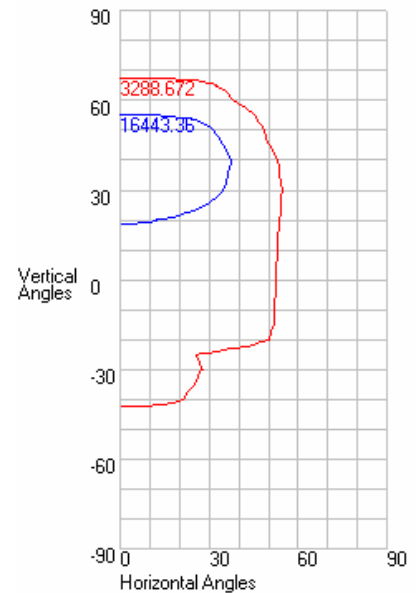
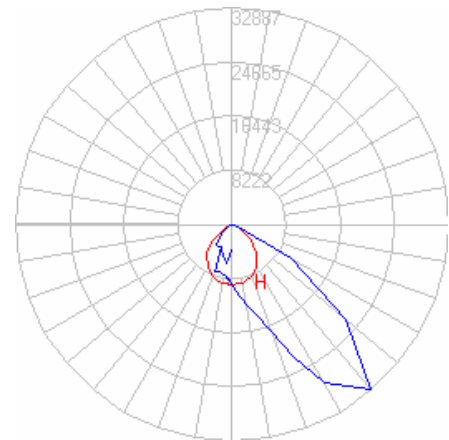
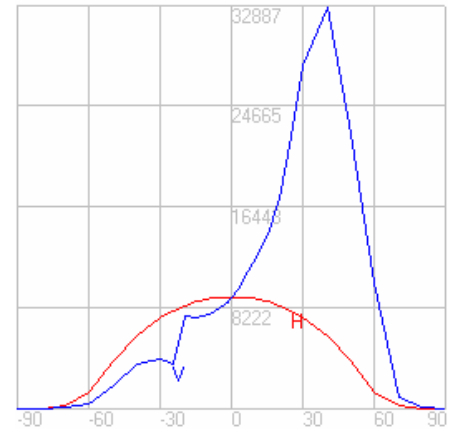
“UNIQUE LIGHTING SOLUTIONS”

FILE INFORMATION

Photometric Filename: 3026427.IES

Descriptive Information (From Photometric File)

IESNA91
 [TEST] RLP182T
 [MANUFAC] www.faeber.com
 [LUMCAT] 3026427
 [LUMINAIRE] TIGER/AS 400W HPS-T



CHARACTERISTICS

IES NEMA Type	6 H x 6 V
Maximum Candela	32886.72
Maximum Candela Angle	5 H 40 V
Horizontal Beam Angle (50%)	75.3
Vertical Beam Angle (50%)	36.3
Horizontal Field Angle (10%)	105.9
Vertical Field Angle (10%)	109.8
Total Rated Lamp Lumens	48000
Beam Lumens	14615.72
Beam Efficiency	30.45%
Field Lumens	31209.73
Field Efficiency	65.02%
Spill Lumens	2360.11
Total Lumens	33569.84
Total Efficiency	69.94%

LUMEN MULTIPLIERS

WATT	TYPE	MULT
150	MH	0.22
250	MH	0.44
400	MH	0.71
250	HPS	0.58
400	HPS	1.00