



TIGER-SM

An ideal solution for uniform area lighting, with tool-less re-lamping and maintenance.



“UNIQUE LIGHTING SOLUTIONS”

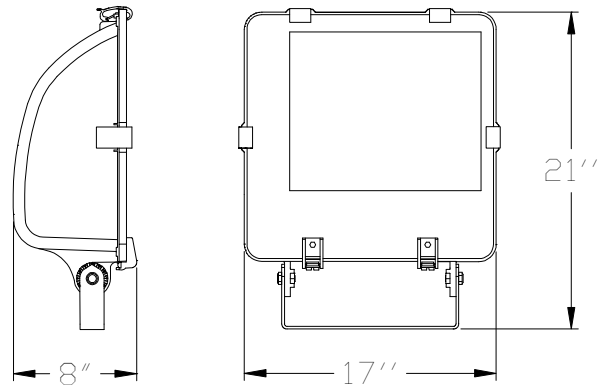
ORDERING

TGSM-(watt)	(watt) = specified Wattage
-MH	150W-400W Metal halide lamp
-HPS	150W-400W High Pressure Sodium
-CRI	Color Rendering Index*
-CCT	Color Correlated Temperature*
-TF	Cast Metal Tenon Fitter
-CF	Custom Finish*
-XXX	Ballast Voltage*
-VS	Cutoff Visor
-LV	External Louver
-CL	Colored Lens*
-SPG	Special Glass Pattern*
-RBB	Remote Ballast Box

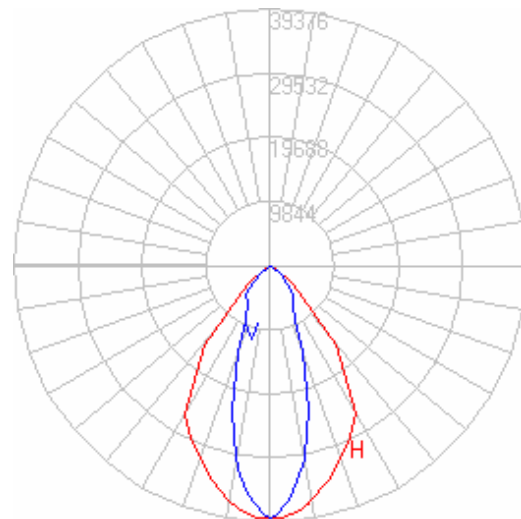
* Consult Factory

EXAMPLE: TGSM-400-HPS-22-2100-CWA-120-RBB

DIMENSIONS



PHOTOMETRICS



MAX CANDELA = 39376 @ ±1H 2V
 Total Efficiency = 75%
 400W HPS shown

SPECIFICATIONS

Housing– High grade, cast aluminum with aluminum clamps for constant pressure of lens to gasket.

Lamps– 150W to 400W HID lamp. Please contact factory for lamp selections not found on ordering selector.

Lens– Clear tempered glass lens. Frosted, patterned, or colored are also available. Hinged for ease of re-lamping and ballast maintenance.

Reflector– Diffuse hammertone, symmetric reflector to maintain a high degree of uniformity.

Finish– High quality, outdoor, polyester, powder coat.

Electrical– Integral core and coil ballast.

Mounting– A formed steel yoke. Ideal for ground or pole mount options. Provided with degree indicators on each end of the yoke for easy positioning.

Weight– Approximately 30 lbs (with no options).

Labels– NRTL Listed for wet locations.



TIGER-SM

An ideal solution for uniform area lighting, with tool-less re-lamping and maintenance.



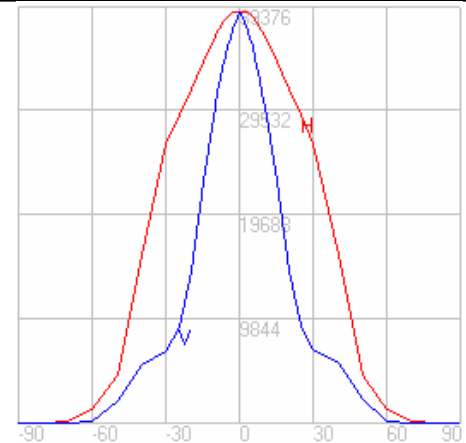
“UNIQUE LIGHTING SOLUTIONS”

FILE INFORMATION

Photometric Filename: 3036427.IES

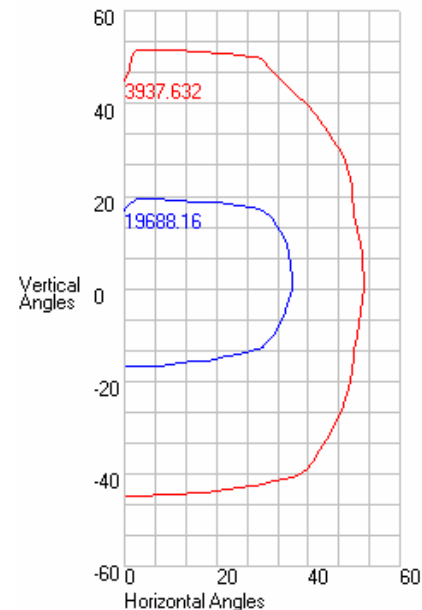
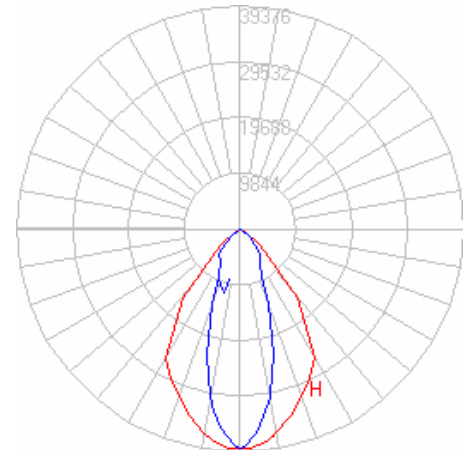
Descriptive Information (From Photometric File)

IESNA91
 [TEST] RLP189T
 [MANUFAC] www.faeber.com
 [LUMCAT] 3036427
 [LUMINAIRE] TIGER/SM 400W HPS-T



CHARACTERISTICS

IES NEMA Type	6 H x 5 V
Maximum Candela	39376.32
Maximum Candela Angle	1 H 2 V
Horizontal Beam Angle (50%)	73.2
Vertical Beam Angle (50%)	36.3
Horizontal Field Angle (10%)	104.3
Vertical Field Angle (10%)	96.4
Total Rated Lamp Lumens	48000
Beam Lumens	19106.62
Beam Efficiency	39.81%
Field Lumens	33102.72
Field Efficiency	68.96%
Spill Lumens	3057.81
Total Lumens	36160.53
Total Efficiency	75.33%



LUMEN MULTIPLIERS

WATT	TYPE	MULT
150	MH	0.22
250	MH	0.44
400	MH	0.71
250	HPS	0.58
400	HPS	1.00