



VBMF-MONACO-DR

An ideal solution for uniform illumination.

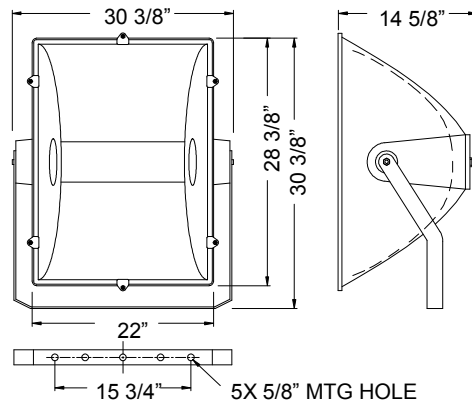


“UNIQUE LIGHTING SOLUTIONS”

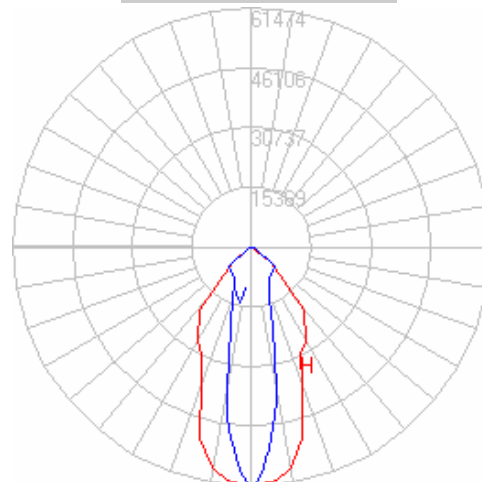
ORDERING	
VBMF-MONACO-(watt)	(watt) = specified Wattage
-MH	250W-400W or 1000W** MH lamp
-HPS	250W-400W or 1000W** HPS lamp
-CRI	Color Rendering Index*
-CCT	Color Correlated Temperature*
-TF	Cast Metal Tenon Fitter
-CF	Custom Finish*
-XXX	Ballast Voltage*
-AGS	Anti Glare Shield (internal)
-CL	Colored Lens*
-SPG	Special Glass Pattern*
-FLP	Facade Lighting Package
-SNXX	Snoot in inches (note internal color)*
-DLH	Dual Lampholders (Horizontal, end-to end)
-BLS	Bi-Level Switching
-DR	Diffuse Reflector
-RBB	Remote Ballast Box

* Consult Factory ** BT37 Only

DIMENSIONS



PHOTOMETRICS



MAX CANDELA = 61474 @ 0H 0V
 Total Efficiency = 58%
 2 Lamp, 400W, MH shown

EXAMPLE: VBMF-MONACO-250-400-HPS-22-2100-120-BLS-DR-RBB

SPECIFICATIONS

Housing– High grade, cast aluminum with cast lens frame for complete seal against moisture.

Lamps– One (1) 1000W BT37. One (1), two (2) lamp 250W to 400W HID lamps or any combination of two (2) lamp HID. Please contact factory for lamp selections not found on ordering selector.

Lens– Clear tempered glass lens. Frosted, patterned, or colored are also available.

Reflector– Diffuse, hammertone, aluminum.

Finish– High quality, outdoor, polyester, powder coat.

Electrical– Remote core and coil ballast.

Mounting– A robust formed steel yoke. Provided with degree indicators on the cupped washers on each end of the fixture for easy positioning.

Weight– Approximately 53 lbs (with no options).

Labels– NRTL Listed for wet locations.



VBMF-MONACO-DR

An ideal solution for uniform illumination.



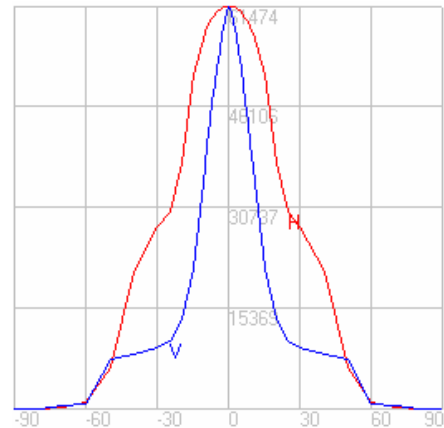
“UNIQUE LIGHTING SOLUTIONS”

FILE INFORMATION

Photometric Filename: 1850030MT400.IES

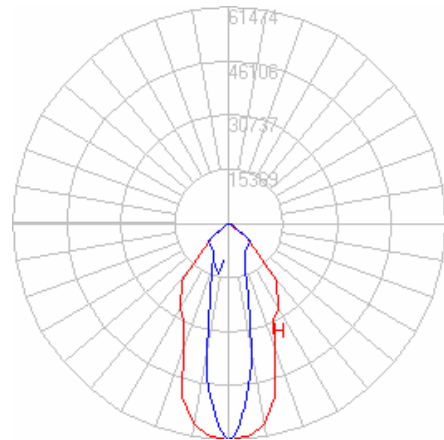
Descriptive Information (From Photometric File)

IESNA91
 [TEST] RLP141
 [MANUFAC] www.faeber.com
 [LUMCAT] 1850030-MT400
 [LUMINAIRE] MONACO/2D 2X400W MH-T



CHARACTERISTICS

IES NEMA Type	6 H x 6 V
Maximum Candela	61474
Maximum Candela Angle	0 H 0 V
Horizontal Beam Angle (50%)	49.2
Vertical Beam Angle (50%)	24.0
Horizontal Field Angle (10%)	100.8
Vertical Field Angle (10%)	104.4
Total Rated Lamp Lumens	70000 (2 lamps)
Beam Lumens	11898.8
Beam Efficiency	17.00%
Field Lumens	34975.06
Field Efficiency	49.96%
Spill Lumens	5391.16
Total Lumens	40366.21
Total Efficiency	57.67%



LUMEN MULTIPLIERS

WATT	TYPE	MULT
250	MH	0.63
400	MH	1.00
1000	MH	2.34

WATT	TYPE	MULT
250	HPS	0.82
400	HPS	1.41
1000	HPS	3.66

