



VBMF-PRISMA

An ideal solution for uniform illumination with a minimum set back of 20'.



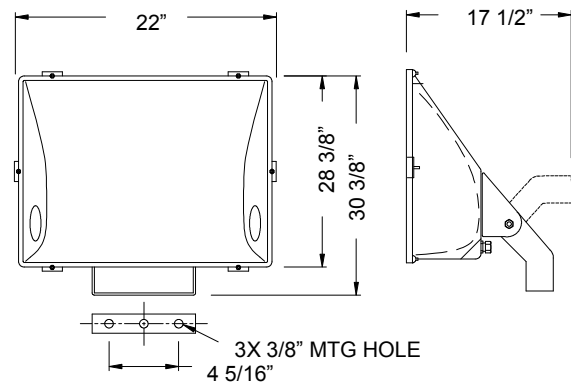
“UNIQUE LIGHTING SOLUTIONS”

ORDERING

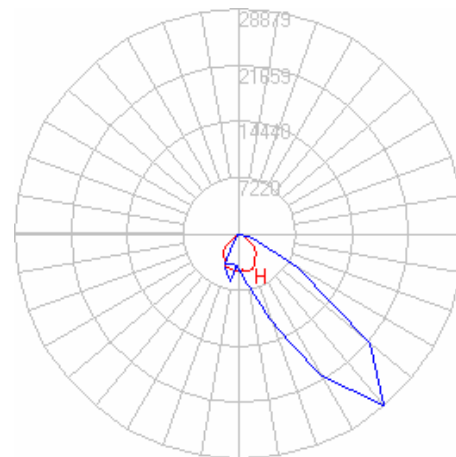
VBMF-PRISMA-(watt)	(watt) = specified Wattage
-MH	250W-400W Metal halide lamp
-HPS	250W-400W High Pressure Sodium
-CRI	Color Rendering Index*
-CCT	Color Correlated Temperature*
-TF	Cast Metal Tenon Fitter
-CF	Custom Finish*
-XXX	Ballast Voltage*
-AGS	Anti Glare Shield (internal)
-CL	Colored Lens*
-SPG	Special Glass Pattern*
-SNXX	Snoot in inches (note internal color)*
-DLH	Dual Lampholders (Horizontal, end-to end)
-BLS	Bi-Level Switching
-DR	Diffuse Reflector
-RBB	Remote Ballast Box

* Consult Factory

DIMENSIONS



PHOTOMETRICS



MAX CANDELA = 28879 @ 0H 40V
 Total Efficiency = 71%
 400W MH shown

EXAMPLE: VBMF-PRISMA-400-HPS-22-2100-CWA-120-SL1-DR-RBB

SPECIFICATIONS

Housing– High grade, cast aluminum with cast lens frame for complete seal against moisture. Housing has a lamp cover on each end for ease of re-lamping.

Lamps– 250W to 400W HID lamp. Please contact factory for lamp selections not found on ordering selector.

Lens– Clear tempered glass lens. Frosted, patterned, or colored are also available.

Reflector– Diffuse hammertone to maintain a high degree of uniformity.

Finish– High quality, outdoor, polyester, powder coat.

Electrical– Remote core and coil ballast.

Mounting– A formed steel yoke. Ideal for ground or pole mount options. Provided with degree indicators on each end of the yoke for easy positioning.

Weight– Approximately 30 lbs (with no options).

Labels– NRTL Listed for wet locations.



VBMF-PRISMA

An ideal solution for uniform illumination with a minimum set back of 20'.



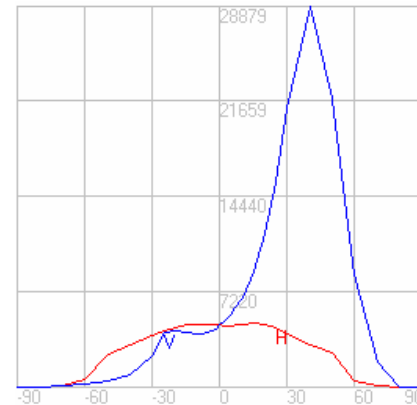
“UNIQUE LIGHTING SOLUTIONS”

FILE INFORMATION

Photometric Filename: 1957433.IES

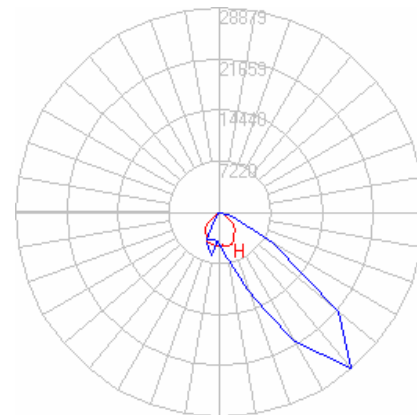
Descriptive Information (From Photometric File)

IESNA91
 [TEST] RLP238
 [MANUFAC] www.faeber.com
 [LUMCAT] 1957433
 [LUMINAIRE] PRISMA/1 400W MH-T



CHARACTERISTICS

IES NEMA Type	6 H x 5 V
Maximum Candela	28879.08
Maximum Candela Angle	0 H 40 V
Horizontal Beam Angle (50%)	63.6
Vertical Beam Angle (50%)	32.0
Horizontal Field Angle (10%)	102.1
Vertical Field Angle (10%)	97.2
Total Rated Lamp Lumens	33000
Beam Lumens	10095.56
Beam Efficiency	30.59%
Field Lumens	21500.76
Field Efficiency	65.15%
Spill Lumens	1923.00
Total Lumens	23423.76
Total Efficiency	70.98%



LUMEN MULTIPLIERS

WATT	TYPE	MULT
250	MH	0.63
400	MH	1.00
250	HPS	0.82
400	HPS	1.41

