



# VBMF-SAG3

An ideal solution for projects that need punch,  
for 150 to 600 feet.



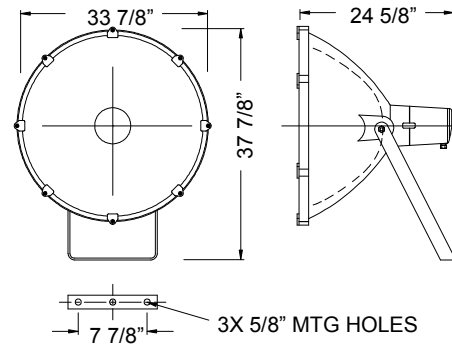
*“UNIQUE LIGHTING SOLUTIONS”*

## ORDERING

VBMF-SAG3-(watt)	(watt) = specified Wattage
-MH	250W-400W Metal Halide Lamp
-CRI	Color Rendering Index*
-CCT	Correlated Color Temperature*
-CWA	Core and Coil Ballast
-RLEG	Regulated Lag Ballast
-ELEC	Electronic Ballast*
-TF	Cast Metal Tenon Fitter
-CF	Custom Finish*
-XXX	Ballast Voltage*
-AGS	Anti Glare Shield (internal)
-CL	Colored Lens*
-SL2	Spread Lens (12°)
-SL3	Spread Lens (30°)
-SPG	Special Glass Pattern*
-FLP	Facade Lighting Package
-SNXX	Snoot in inches (note internal color)*
-RBB	Remote Ballast Box

\* Consult Factory

## DIMENSIONS



## PHOTOMETRICS

**EXAMPLE: VBMF-SAG3-400-MH-90-5200-CWA-CF-120-SN06**

## SPECIFICATIONS

**Housing**– High grade, cast aluminum with cast lens frame for complete seal against moisture. Re-lamping is accomplished using a convenient, rear access cover.

**Lamps**– 250W to 400W HID. Please contact factory for lamp selections not found on ordering selector.

**Lens**– Clear tempered glass lens. 12, and 30 degree spread lens are optional, as well as frosted, patterned, or colored.

**Reflector**– High reflectance, spun, aluminum, for precision applications.

**Finish**– High quality, outdoor, polyester, powder coat.

**Electrical**– High power factor, core and coil ballast.

**Mounting**– The mounting is a rigid, hot dipped, galvanized steel yoke. Provided with cup washers on each side of the fixture with degree indicators for easy positioning.

**Weight**– Approximately 61 lbs (with no options).

**Labels**– NRTL Listed for wet locations.