



# ZETA

An ideal solution for uniform area lighting.



**“UNIQUE LIGHTING SOLUTIONS”**

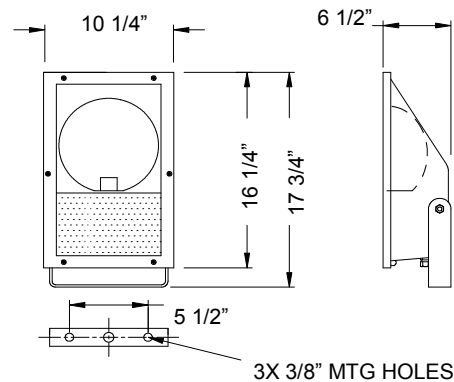
## ORDERING

ZETA-(watt)	(watt) = specified Wattage
-MH	70W-150W G12 Metal halide lamp
-INC	100W-150W T4 Halogen lamp
-CRI	Color Rendering Index*
-CCT	Color Correlated Temperature*
-TF	Cast Metal Tenon Fitter
-CF	Custom Finish*
-XXX	Ballast Voltage*
-AGS	Anti Glare Shield (internal)
-CL	Colored Lens*
-SPG	Special Glass Pattern*
-VS	Cutoff Visor
-LV	External Louver
-EB	Integral Electronic Ballast
-RBB	Remote Ballast Box

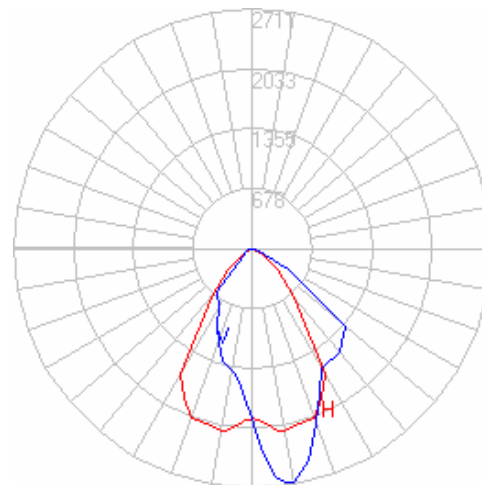
\* Consult Factory

**EXAMPLE: ZETA-150-MH-95-4000-CWA-120-EB**

## DIMENSIONS



## PHOTOMETRICS



MAX CANDELA = 2711 @ ±8H 7V  
 Total Efficiency = 67%  
 150W MH shown

## SPECIFICATIONS

**Housing**– High grade, cast aluminum with cast lens frame for complete seal against moisture and hinged for ease of relamping.

**Lamps**– 70W to 150W HID lamp or 100w-150w halogen T4 lamp. Please contact factory for lamp selections not found on ordering selector.

**Lens**– Clear tempered glass lens. Frosted, patterned, or colored are also available.

**Reflector**– Diffuse hammertone to maintain a high degree of uniformity.

**Finish**– High quality, outdoor, polyester, powder coat.

**Electrical**– Remote core and coil ballast.

**Mounting**– A formed steel yoke. Ideal for ground or pole mount options. Provided with degree indicators on each end of the yoke for easy positioning.

**Weight**– Approximately 20 lbs (with no options).

**Labels**– NRTL Listed for wet locations.



# ZETA

An ideal solution for uniform area lighting.



*“UNIQUE LIGHTING SOLUTIONS”*

## FILE INFORMATION

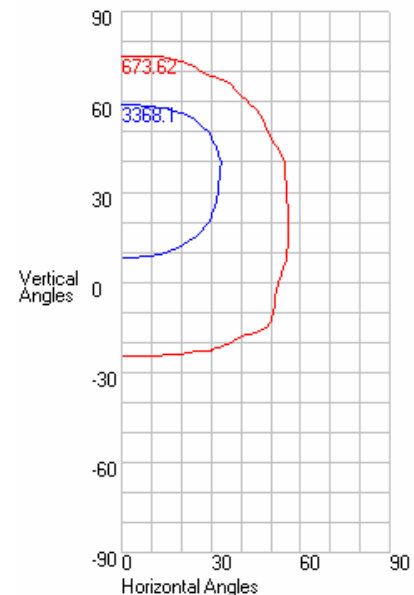
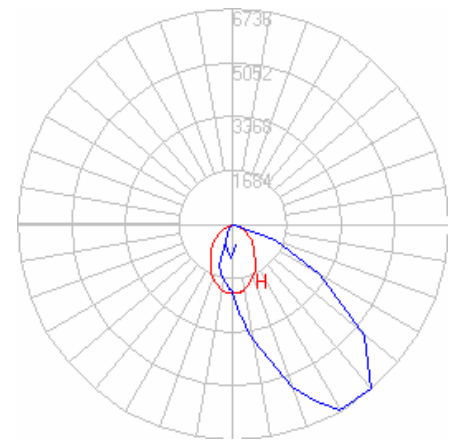
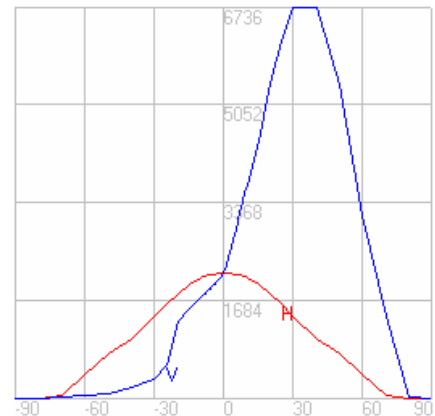
**Photometric Filename:** ZETA-150.IES

### Descriptive Information (From Photometric File)

IESNA91  
 [TEST] FLS0079 CNV  
 [MANUFAC] Arc Lighting systems  
 [LUMCAT] ZETA-150-MH-85-3000-EB  
 [LUMINAIRE] ZETA 150 T6 150W MH-TS

## CHARACTERISTICS

IES NEMA Type	6 H x 5 V
Maximum Candela	6736.2
Maximum Candela Angle	0 H 40 V
Horizontal Beam Angle (50%)	67.1
Vertical Beam Angle (50%)	51.1
Horizontal Field Angle (10%)	109.0
Vertical Field Angle (10%)	99.7
Total Rated Lamp Lumens	12000
Beam Lumens	4050.7
Beam Efficiency	33.76%
Field Lumens	6993.87
Field Efficiency	58.28%
Spill Lumens	388.91
Total Lumens	7382.78
Total Efficiency	61.52%



## LUMEN MULTIPLIERS

WATT	TYPE	MULT
100	INC	0.20
150	INC	0.29
70	CMH	0.47
100	CMH	0.70
150	CMH	1.00